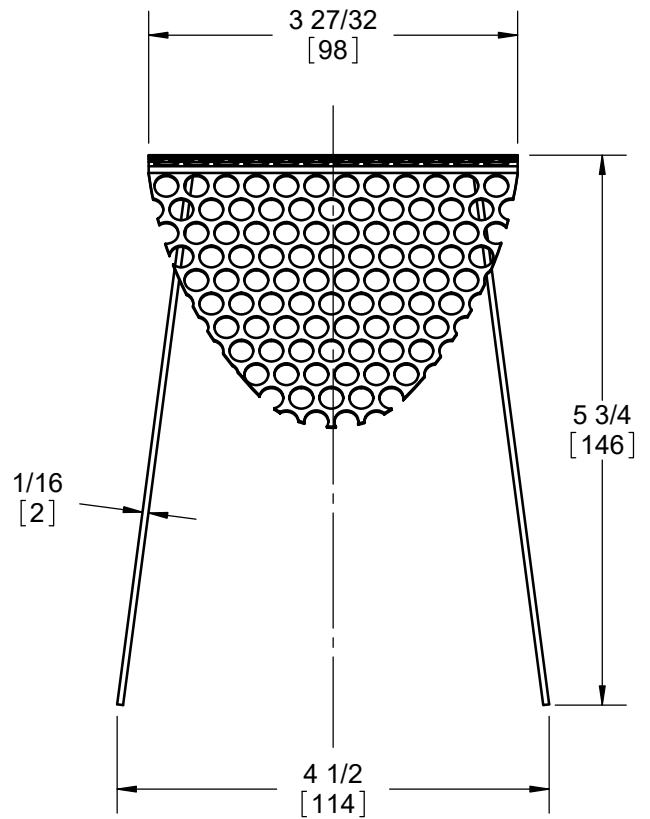
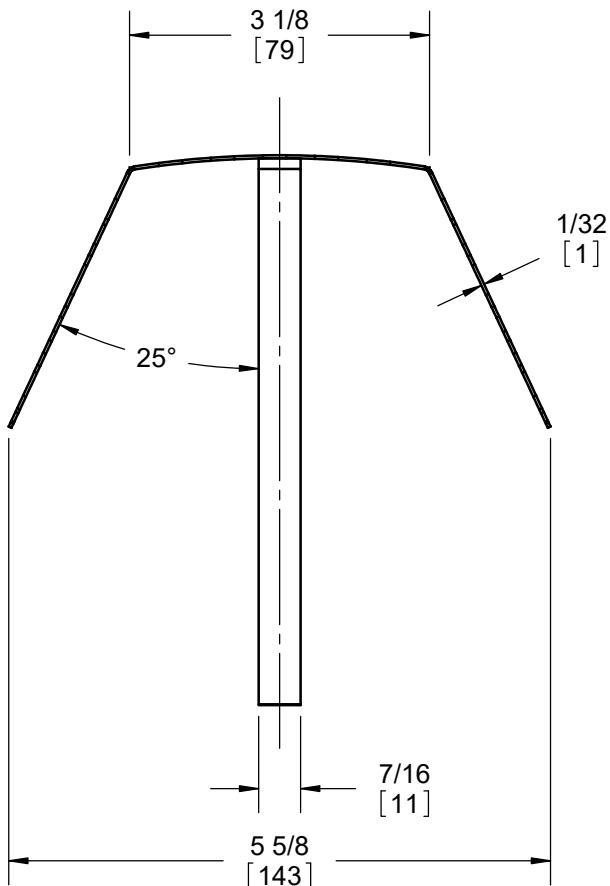
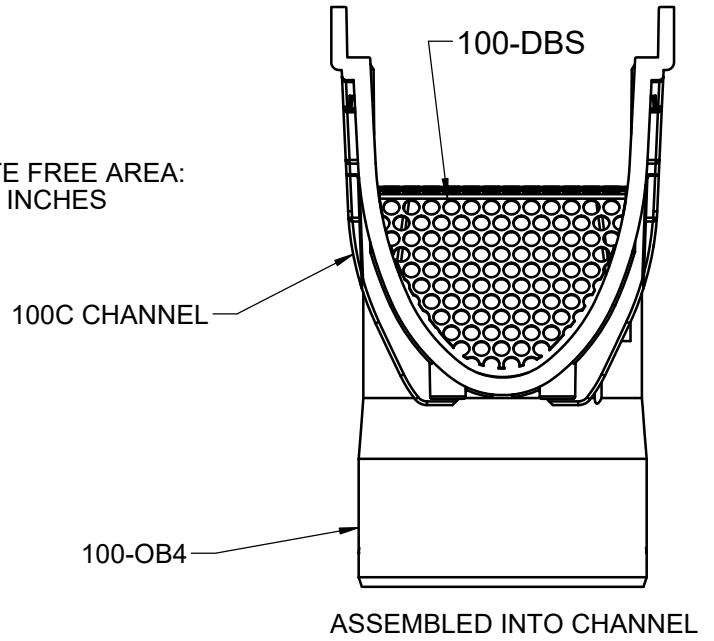
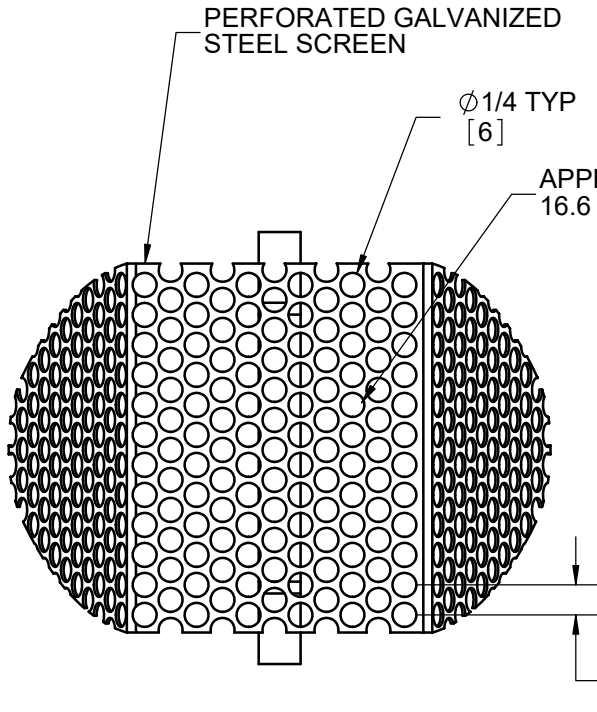


SPECIFICATION:

JOSAM 100 DOME BOTTOM OUTLET STRAINER WITH PERFORATED STAINLESS STEEL SCREEN.

PRO-PLUS
DOME BOTTOM STRAINER 100C

SERIES **100-DBS**



WARNING: Cancer and Reproductive Harm - www.P65Warnings.ca.gov

DATE OF LAST CHANGE: 05/17/21

DIMENSIONS ARE SUBJECT TO MANUFACTURERS TOLERANCES AND CHANGE WITHOUT NOTICE. WE CAN ASSUME NO RESPONSIBILITY FOR USE OF SUPERSEDED OR VOID DATA.

JOSAM
MICHIGAN CITY, INDIANA

NOTES