

SPECIFICATION:

JOSAM 100-GSP-A GALVANIZED STEEL PERFORATED GRATE WITH CENTER HOLE FOR LOCKING BAR SECUREMENT. DESIGNED TO FIT PRO-PLUS™ 100 SIZE CHANNEL. MEETS CLASS A LOADING REQUIREMENTS. MEETS ADA AND HEELPROOF REQUIREMENTS.

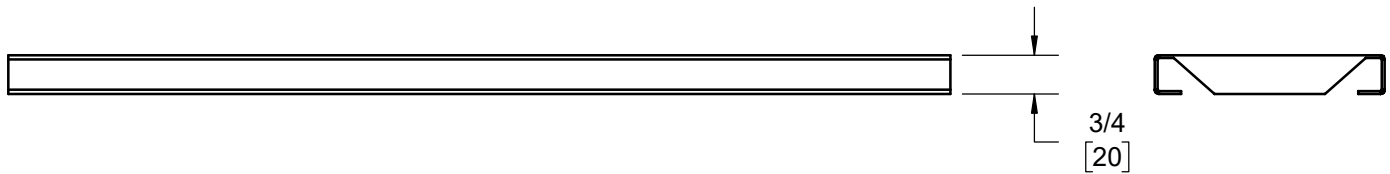
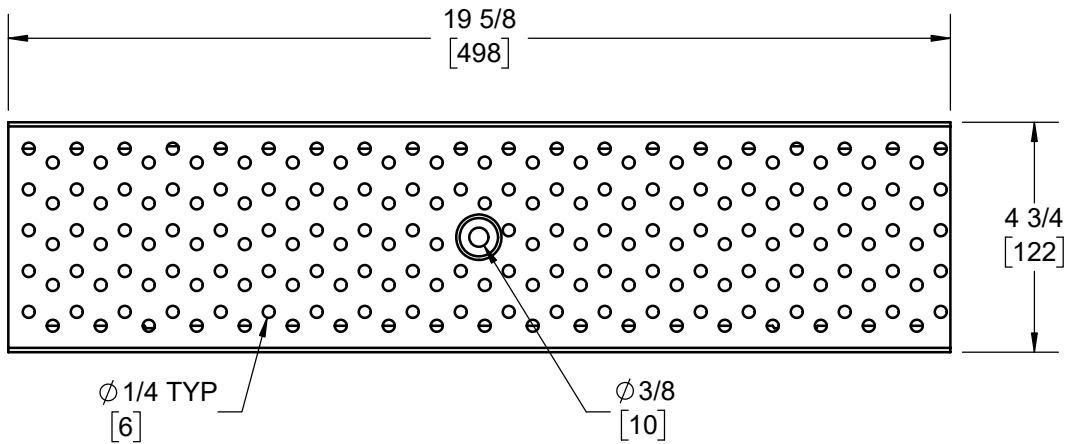
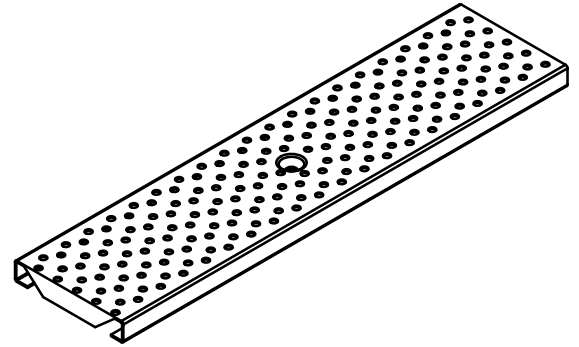
TRENCH DRAIN GRATE

PRO-PLUS™ 100

SERIES **100-GSP-A**

LOAD RATINGS EN/DIN: C H20: N

NOTE:
FREE AREA IS 18.7 SQ. IN. PER GRATE



LOCKING BAR (ORDER SEPERATELY) 360141-FH

WARNING: Cancer and Reproductive Harm - www.P65Warnings.ca.gov

DATE OF LAST CHANGE: 6/01/23 JTJ

DIMENSIONS ARE SUBJECT TO MANUFACTURERS TOLERANCES AND CHANGE WITHOUT NOTICE. WE CAN ASSUME NO RESPONSIBILITY FOR USE OF SUPERSEDED OR VOID DATA.



MICHIGAN CITY, INDIANA

NOTES