

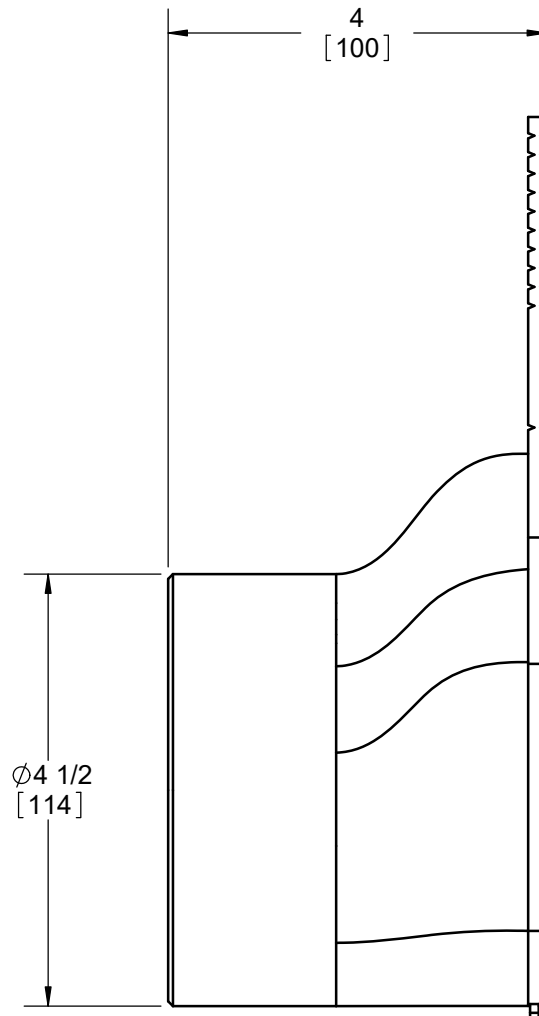
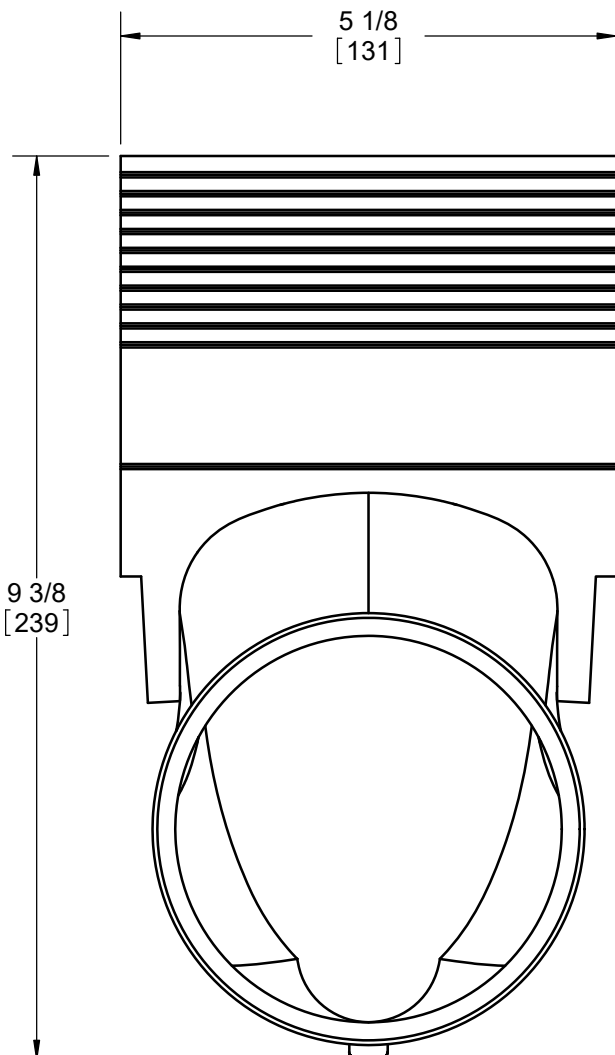
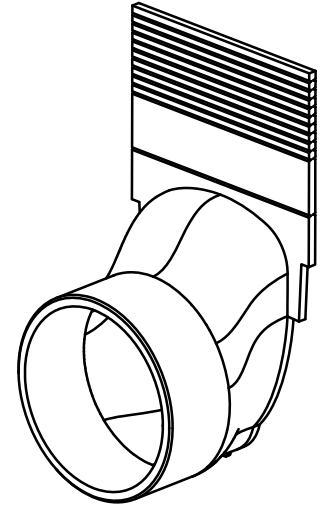
SPECIFICATION:

JOSAM 100-OE4 END OUTLET FOR 100 SIZE 4" INTERNAL WIDTH TRENCH CHANNELS 100C, 100C01-100C10. (CHANNELS 100C11-100C20 ARE TO USE 100-OE4XL20). MADE WITH PVC MATERIAL AND DESIGNED TO SECURELY FIT INTO FEMALE END OF CHANNEL AND 100-BSW BRACKET. CONNECTS TO STANDARD 4" PVC FITTINGS. RATED TO 140°F.

**PRO-PLUS
END OUTLET 4" 100C**

SERIES **100-OE4**

| | |
|-----|--|
| -HT | HIGH TEMPERATURE CPVC MATERIAL RATED TO 212° F |
| -SS | 304 STAINLESS STEEL EDGE |



WARNING: Cancer and Reproductive Harm - www.P65Warnings.ca.gov

DATE OF LAST CHANGE: 05/17/21

DIMENSIONS ARE SUBJECT TO MANUFACTURERS TOLERANCES AND CHANGE WITHOUT NOTICE. WE CAN ASSUME NO RESPONSIBILITY FOR USE OF SUPERSEDED OR VOID DATA.

JOSAM
MICHIGAN CITY, INDIANA

NOTES