

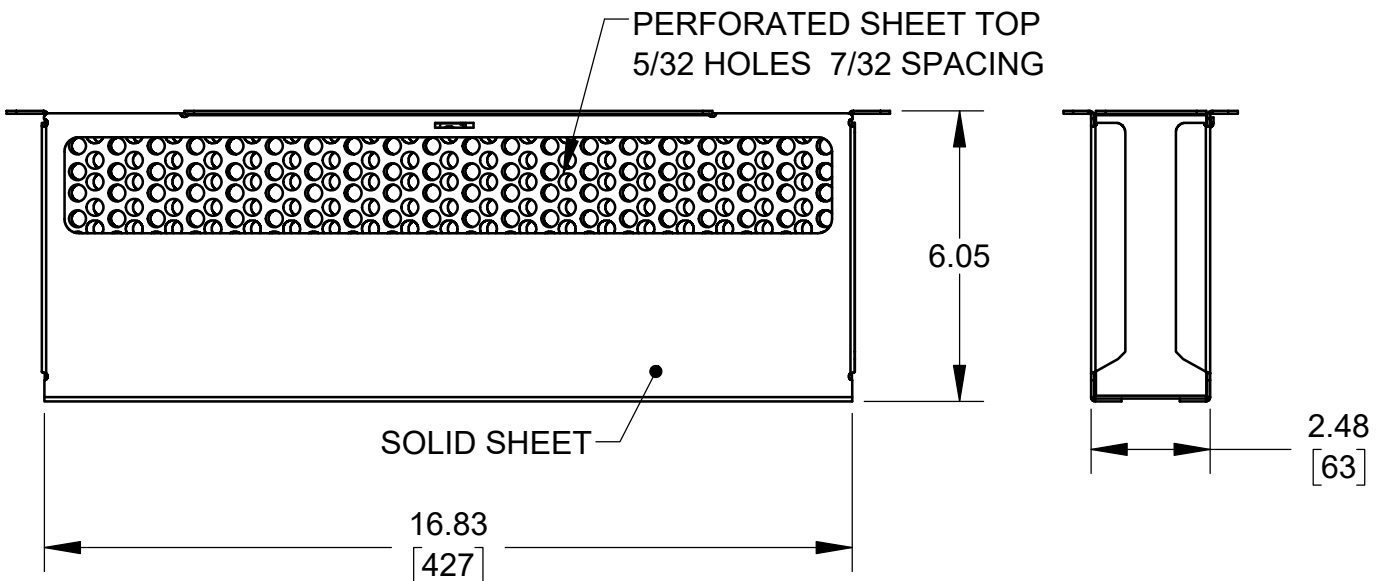
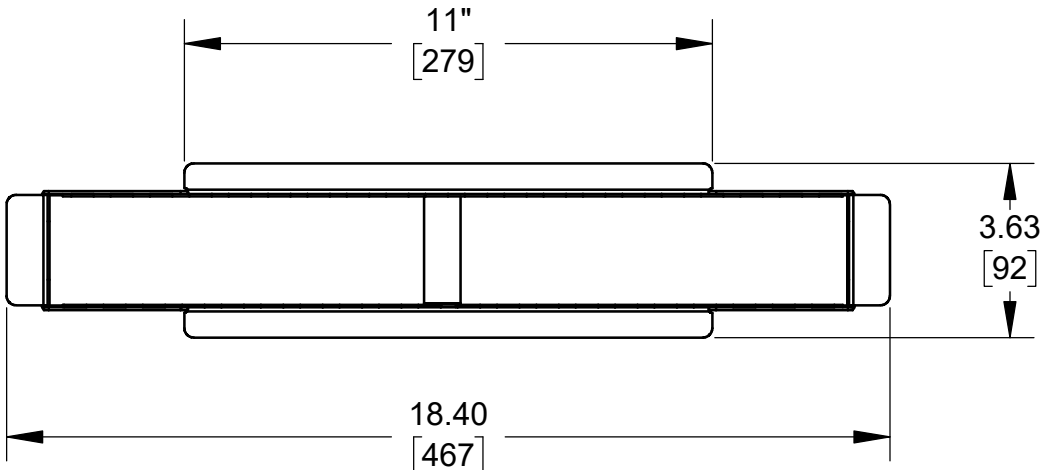
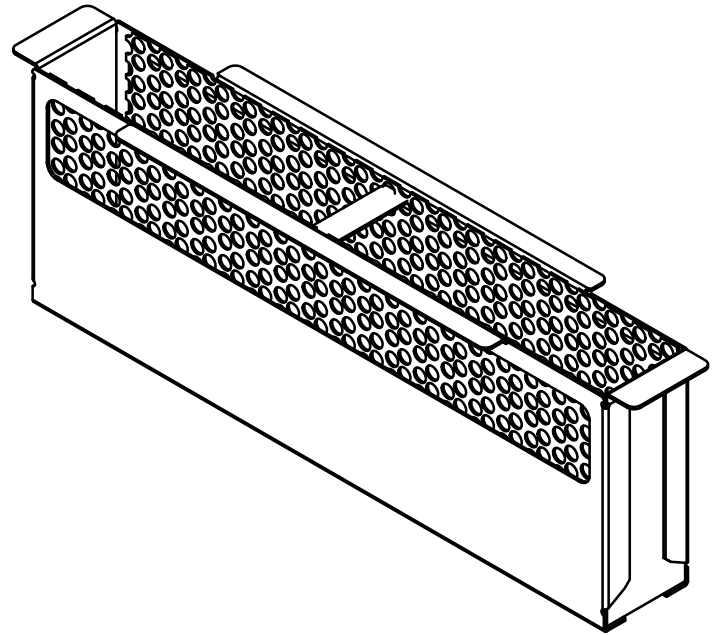
SPECIFICATION:

JOSAM 100-SBSB SEDIMENT BUCKET FOR USE WITH 100-SB. OR 100CXX-SB

STAINLESS STEEL CONSTRUCTION, COMPATIBLE WITH DUCTILE IRON FRAME.

**PRO-PLUS
SILTBOX SEDIMENT BUCKET**

SERIES / PART NO **100-SBSB**



WARNING: Cancer and Reproductive Harm - www.P65Warnings.ca.gov

DATE OF LAST CHANGE: 04/13/22

DIMENSIONS ARE SUBJECT TO MANUFACTURERS TOLERANCES AND CHANGE WITHOUT NOTICE. WE CAN ASSUME NO RESPONSIBILITY FOR USE OF SUPERSEDED OR VOID DATA.

JOSAM
MICHIGAN CITY, INDIANA

NOTES