

SPECIFICATION:

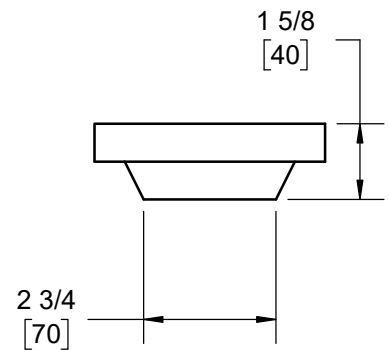
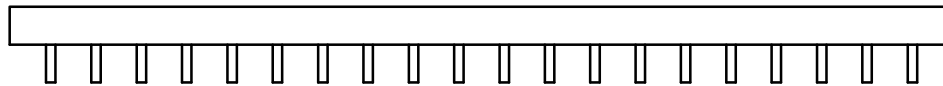
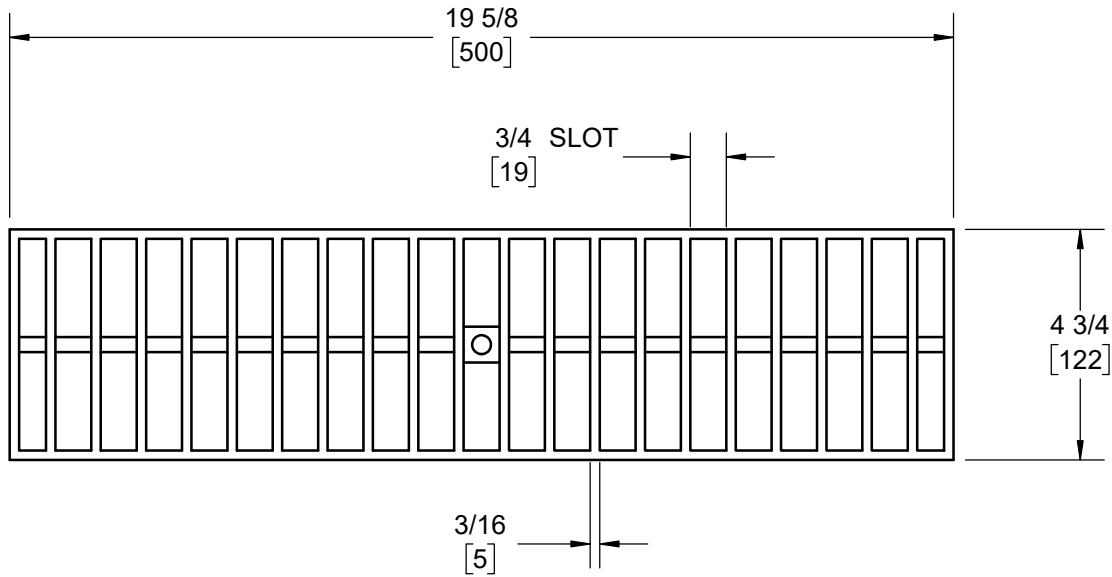
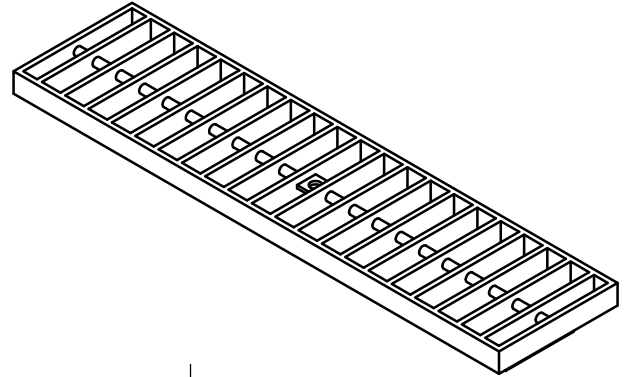
JOSAM 100-SSB-E STAINLESS STEEL (TYPE 304 STD.) BAR GRATE.
DESIGNED TO FIT PRO-PLUS™ 100 SIZE CHANNEL.

TRENCH DRAIN GRATE

PRO-PLUS™ 100

SERIES **100-SSB-E**

LOAD RATINGS EN/DIN: E H20: Y



OPTIONS:

-316 TYPE 316L MATERIAL

LOCKING BAR (SOLD SEPARATELY) 360141-FH

WARNING: Cancer and Reproductive Harm - www.P65Warnings.ca.gov

DATE OF LAST CHANGE: 5/19/23 JTJ

DIMENSIONS ARE SUBJECT TO MANUFACTURERS TOLERANCES AND CHANGE WITHOUT NOTICE. WE CAN ASSUME NO RESPONSIBILITY FOR USE OF SUPERSEDED OR VOID DATA.



MICHIGAN CITY, INDIANA

NOTES