

SPECIFICATION:

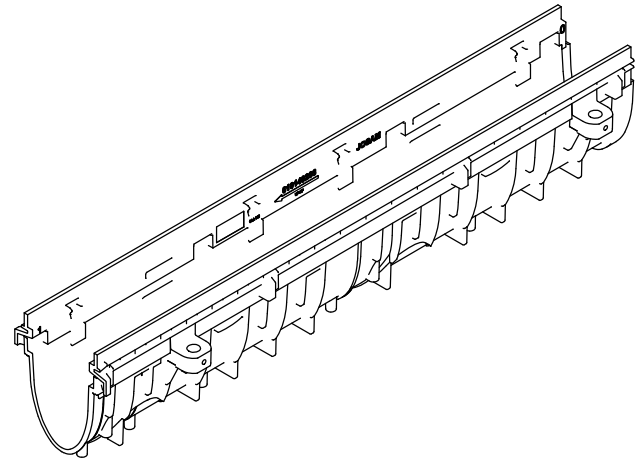
JOSAM 100C SERIES CHANNELS SHALL BE 39.4" (1000) LONG WITH 4" (102) INTERNAL WIDTH AND RADIUSED BOTTOM. INTERCONNECTING CHANNEL SECTIONS SHALL BE MADE OF SMC/GRP (SHEET MOLDING COMPOUND/GLASS REINFORCED POLYESTER) MATERIAL AND AVAILABLE WITH AND WITHOUT SLOPE WITH INTEGRAL CHANNEL SUPPORTS CAPABLE OF ACCEPTING RE-BAR. END OUTLETS, BOTTOM OUTLETS, ENDCAPS, AND CORNER/T-CONNECTORS SHALL BE AVAILABLE. GRATE AND FRAME OPTIONS FOR LOADING CLASSES A-F WITH PRO-SNAP™ OR LOCKING BOLT SECURING DEVICES AND DUCTILE IRON RAIL TO PROTECT CHANNEL EDGES SHALL BE AVAILABLE.

PRO-PLUS™
4" INTERNAL WIDTH

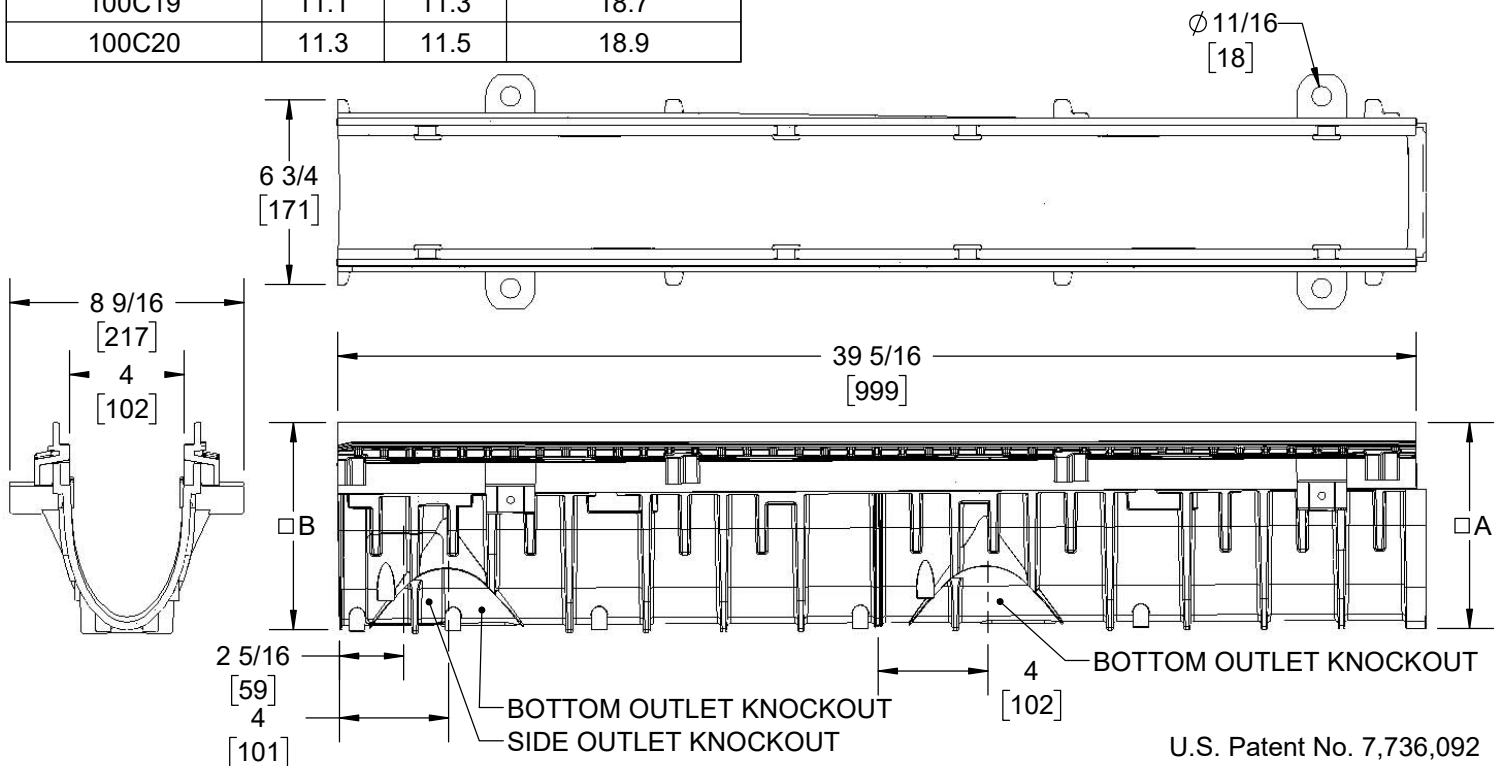
SERIES

100C

PART NUMBER	DIM "A"	DIM "B"	WEIGHT (LBS)
100C	6.2	6.2	9.2
100C01	7.5	7.7	12.4
100C02	7.7	7.9	12.6
100C03	7.9	8.1	12.8
100C04	8.1	8.3	12.9
100C05	8.3	8.5	13.1
100C05N	8.5	8.5	13.3
100C06	8.5	8.7	13.4
100C07	8.7	8.9	13.6
100C08	8.9	9.1	13.8
100C09	9.1	9.3	14.0
100C10	9.3	9.5	14.2
100C11	9.5	9.7	17.1
100C12	9.7	9.9	17.3
100C13	9.9	10.1	17.5
100C14	10.1	10.3	17.6
100C15	10.3	10.5	17.8
100C15N	10.5	10.5	18.0
100C16	10.5	10.7	18.1
100C17	10.7	10.9	18.3
100C18	10.9	11.1	18.5
100C19	11.1	11.3	18.7
100C20	11.3	11.5	18.9



□ NOTE: ADD 1.2" WHEN FURNISHED WITH DI FRAME 152441



U.S. Patent No. 7,736,092

WARNING: Cancer and Reproductive Harm - www.P65Warnings.ca.gov

DATE OF LAST CHANGE: 10/07/19

DIMENSIONS ARE SUBJECT TO MANUFACTURERS TOLERANCES AND CHANGE WITHOUT NOTICE. WE CAN ASSUME NO RESPONSIBILITY FOR USE OF SUPERSEDED OR VOID DATA.



MICHIGAN CITY, INDIANA

NOTES