

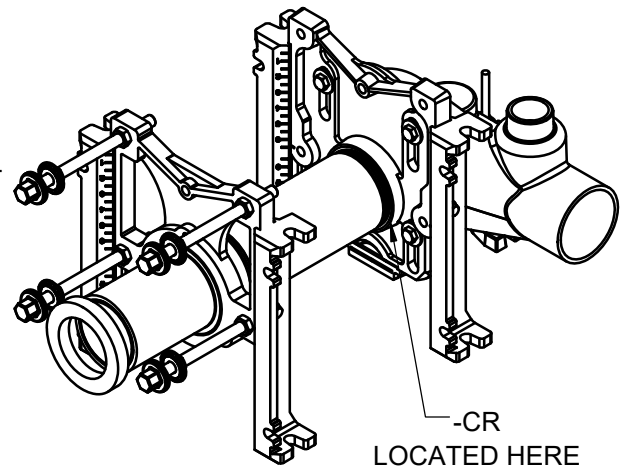
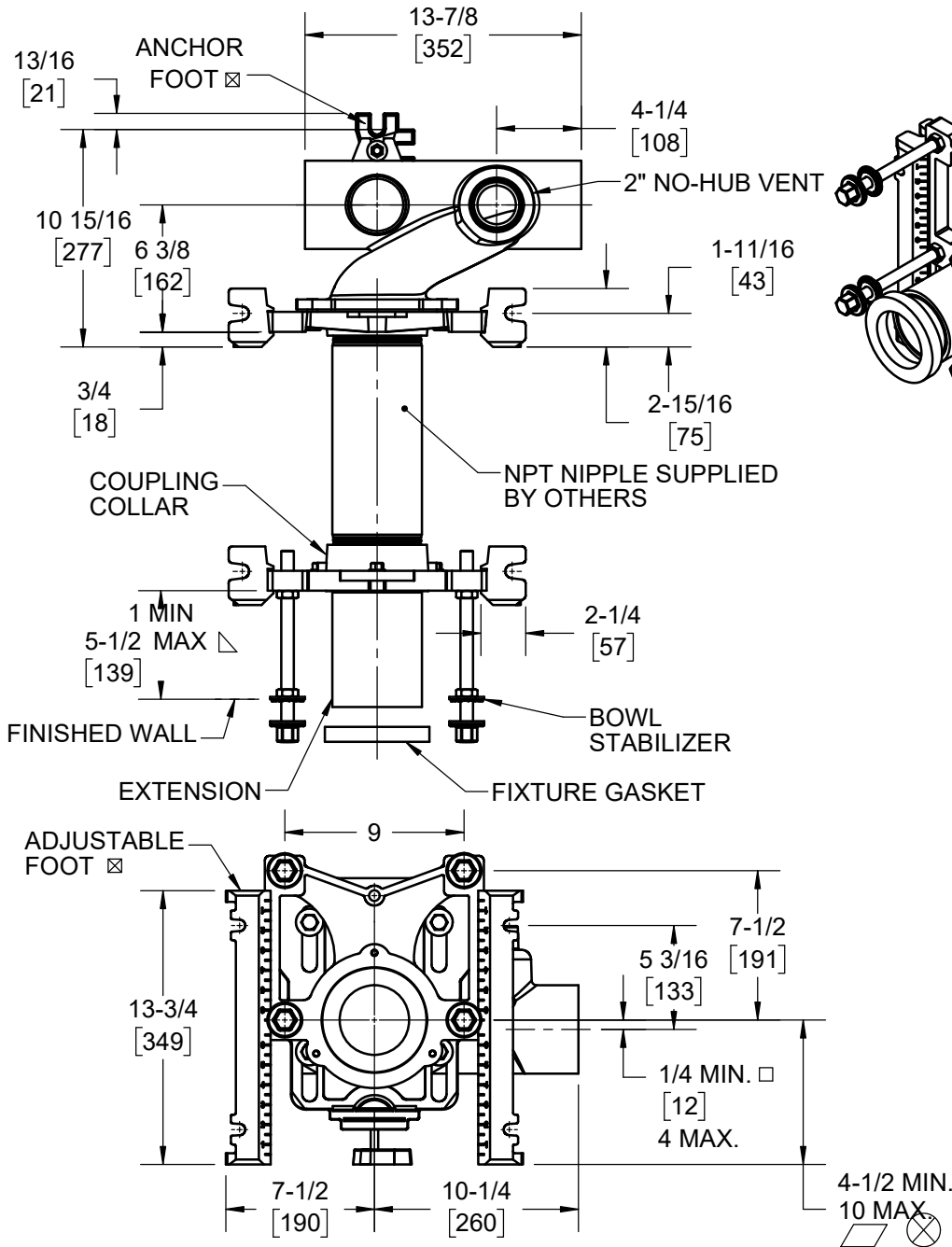
SPECIFICATION:

JOSAM 12674-32 SERIES COATED CAST IRON SINGLE HORIZONTAL 4" NO-HUB LEFT-HAND OFFSET FITTING WITH 2" NO-HUB VENT AND ADJUSTABLE CARRIER BODY, INVERTIBLE FOR SIPHON JET OR BLOWOUT CLOSETS, WITH ABS EXTENSION WITH INTEGRAL TEST CAP, PYLON FEET, ANCHOR FOOT, PLATED HARDWARE AND NEOPRENE FIXTURE GASKET. - 500 LBS CAPACITY

**CLOSET CARRIER
LEFT HAND**

SERIES /
PART NO

12674-32



△ FOR DIMENSION SHORTER THAN 5-1/2" (1" MIN) CUT EXTENSION. FOR LONGER EXTENSION (10-1/2" MAX) SPECIFY (-10).

☒ RECOMMEND FEET BE SECURED TO FLOOR WITH 1/2" BOLTS AND ANCHORS (BY OTHERS).

⊗ FOR SIPHON JET ROUGHING OVER 6" OR BLOWOUT ROUGHING OVER 12-1/2" SPECIFY ON ORDER.

SIPHON JET DIMS SHOWN. FOR BLOWOUT DIMS, USE:

□ MIN 2" & MAX 4"

▱ MIN 11" & MAX 16 1/2"

⊙ AUX INLET IS 6" OFFSET FROM VENT

X	-PF	PYLON FOOT (STANDARD)		-XSD	EXTRA SPECIAL-DUTY 1,000 lbs. CARRIER
				-6	SUPPLY PIPE SUPPORT (SPECIFY TYPE OF PIPE)
				-10	ABS EXTENSION THROUGH 10-1/2" WALL
				-24	FLOOR MOUNTED BACK OUTLET CHINA BOWL
	-AUX	⊙ AUXILIARY INLET (2" NO-HUB)		-30	CAST IRON ADJ. EXT. WITH CONNECTOR
	-HUB	⊙ AUXILIARY INLET (2" HUB)			
	AUX				
	-VP	SECURED TRIM		-30-2	CAST IRON ADJ. EXT. WITH CONNECTOR & TEST CAP
	-1	POSITIONING FRAME	X	-32	CARRIER FOR WIDE CHASE INSTALLATIONS
	-58	HORIZONTAL NO-HUB CAST LONG BARREL		-35	CARRIER FOR WHEEL CHAIR HIGH ROUGH

WARNING: Cancer and Reproductive Harm - www.P65Warnings.ca.gov

DATE OF LAST CHANGE: 02/20/25 BLK

DIMENSIONS ARE SUBJECT TO MANUFACTURERS TOLERANCES AND CHANGE WITHOUT NOTICE. WE CAN ASSUME NO RESPONSIBILITY FOR USE OF SUPERSEDED OR VOID DATA.

JOSAM
MICHIGAN CITY, INDIANA

NOTES