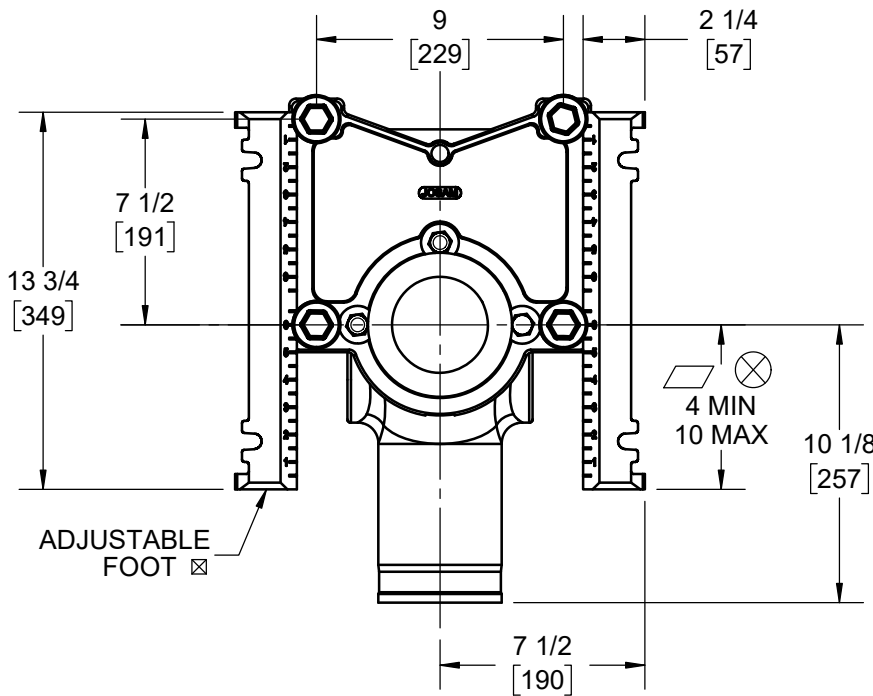
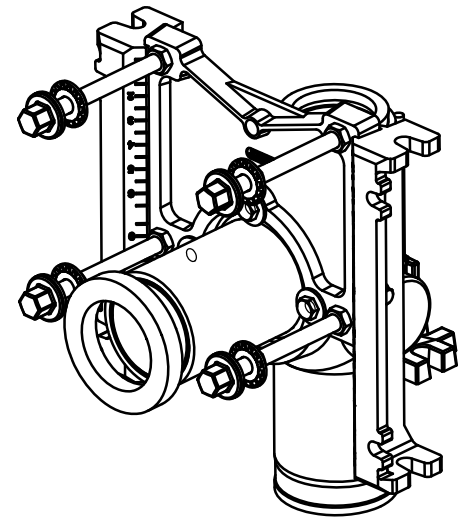
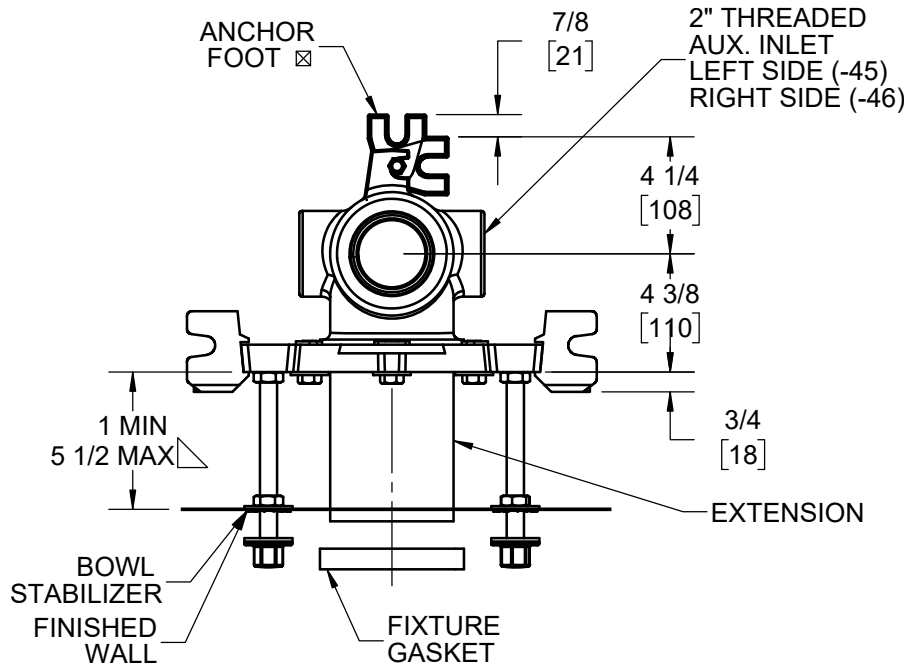


**SPECIFICATION:**

JOSAM 14104 SERIES COATED CAST IRON SINGLE VERTICAL 4" HUB AND SPIGOT FITTING WITH 2" HUB VENT, ADJUSTABLE CARRIER BODY, INVERTIBLE FOR SIPHON JET OR BLOWOUT CLOSETS, WITH ABS EXTENSION WITH INTEGRAL TEST CAP, PYLON FEET, PLATED HARDWARE AND NEOPRENE FIXTURE GASKET.

**CLOSET CARRIER  
VERTICAL SINGLE CLOSE**

SERIES **14104**



△ FOR DIMENSION SHORTER THAN 5-1/2" (1" MIN) CUT EXTENSION FOR LONGER EXTENSION (10-1/2" MAX) SPECIFY (-10).

⊠ RECOMMEND FEET BE SECURED TO FLOOR WITH 1/2" BOLTS AND ANCHORS (BY OTHERS).

⊗ FOR SIPHON JET ROUGHING OVER 6" OR BLOWOUT ROUGHING OVER 12-1/2" SPECIFY ON ORDER.

SIPHON JET DIMS SHOWN. FOR BLOWOUT DIMS, USE:

▱ MIN 11" & MAX 16 1/2"

WARNING: Cancer and Reproductive Harm - www.P65Warnings.ca.gov

-SD	SPECIAL DUTY 500 LB CAPACITY	-21	HANGER TYPE CLOSET ADAPTER
-SDH	SPECIAL DUTY HIGH 750 LB CAPACITY	-54	THREADED AUXILIARY INLET, OPPOSITE VENT
-VP	VANDAL-PROOF TRIM	-30	CAST IRON ADJ. EXT. W/ CONNECTOR
-1	POSITIONING FRAME	-30-2	CAST IRON ADJ. EXT. W/ CONNECTOR & TEST CAP
-6	SUPPLY PIPE SUPPORT (SPECIFY TYPE OF PIPE)	-50	NO-HUB HIGH AUXILIARY INLET, OPPOSITE VENT
-44	THREADED LEFT HAND AUXILIARY INLET	-54	THREADED HIGH AUXILIARY INLET, OPPOSITE VENT
-46	THREADED RIGHT HAND AUXILIARY INLET	-XSD	EXTRA SPECIAL DUTY 1,000 LB CAPACITY

DATE OF LAST CHANGE: 10/13/22 JTJ

DIMENSIONS ARE SUBJECT TO MANUFACTURERS TOLERANCES AND CHANGE WITHOUT NOTICE. WE CAN ASSUME NO RESPONSIBILITY FOR USE OF SUPERSEDED OR VOID DATA.

**JOSAM**  
MICHIGAN CITY, INDIANA

NOTES