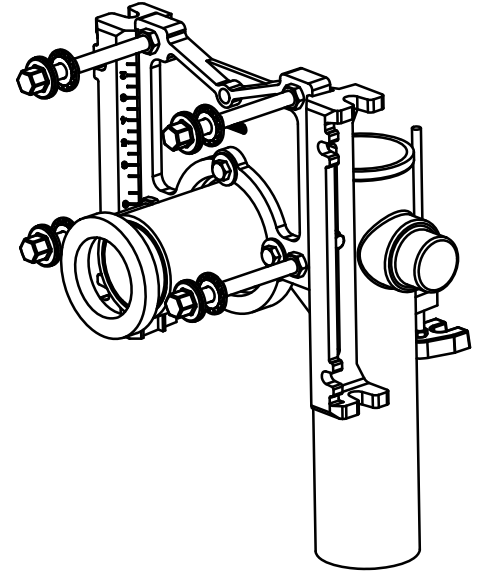
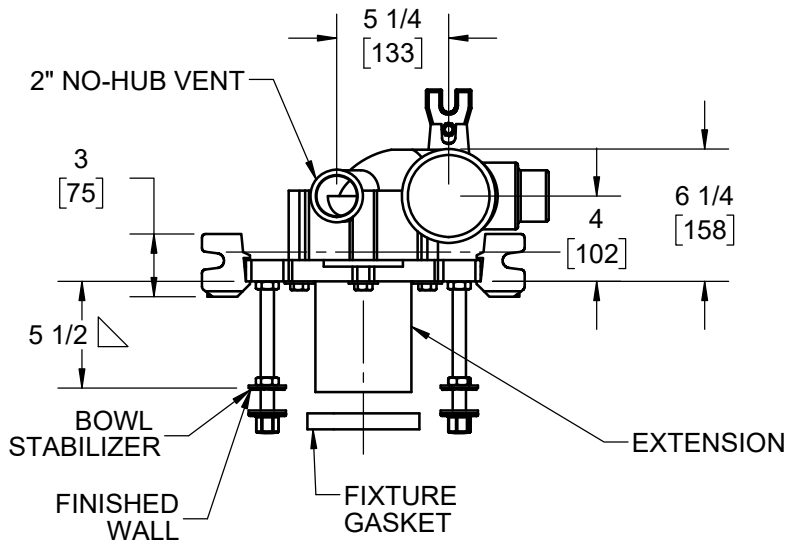


SPECIFICATION:

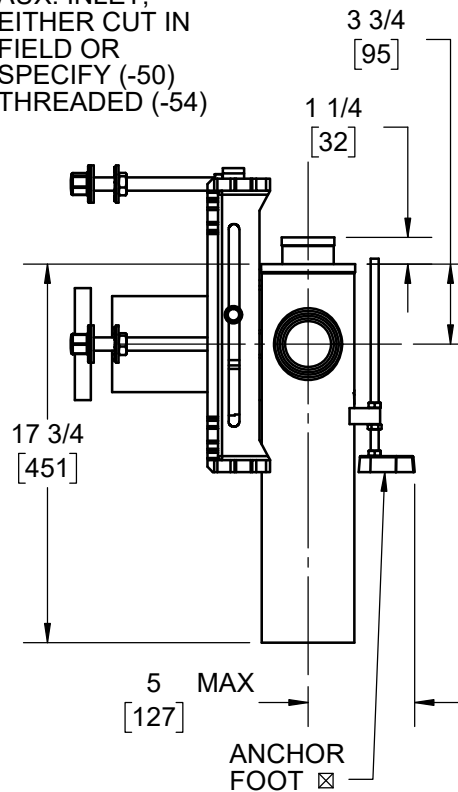
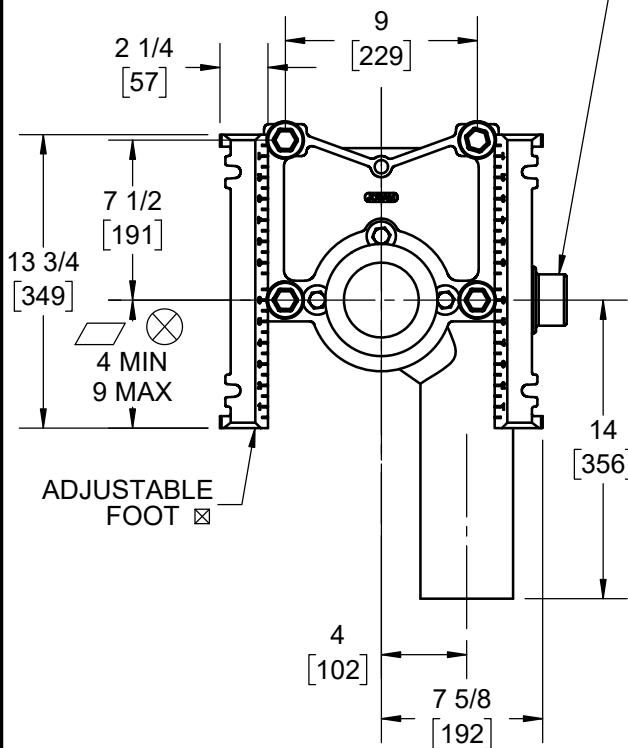
JOSAM 14404 SERIES COATED CAST IRON SINGLE VERTICAL 4" NO-HUB LEFT-HAND OFFSET FITTING WITH 2" NO-HUB VENT, ADJUSTABLE CARRIER BODY, INVERTIBLE FOR SIPHON JET OR BLOWOUT CLOSETS, WITH ABS EXTENSION WITH INTEGRAL TEST CAP, PYLON FEET, PLATED HARDWARE AND NEOPRENE FIXTURE GASKET.

CLOSET CARRIER
SINGLE, LEFT HAND OFFSET
AND 2" VENT

SERIES **14404**



FOR 2" NO-HUB AUX. INLET, EITHER CUT IN FIELD OR SPECIFY (-50) THREADED (-54)



△ FOR DIMENSION SHORTER THAN 5-1/2" (1" MIN) CUT EXTENSION FOR LONGER EXTENSION (10-1/2" MAX) SPECIFY (-10).

☒ RECOMMEND FEET BE SECURED TO FLOOR WITH 1/2" BOLTS AND ANCHORS (BY OTHERS).

⊗ FOR SIPHON JET ROUGHING OVER 6" OR BLOWOUT ROUGHING OVER 12-1/2" SPECIFY ON ORDER.

SIPHON JET DIMS SHOWN. FOR BLOWOUT DIMS, USE:

▱ MIN 11" & MAX 16 1/2"

-SD	SPECIAL DUTY 500 LB CARRIER	-30	CAST IRON ADJ. EXT. W/ CONNECTOR
-VP	VANDAL-PROOF TRIM	-30-2	CAST IRON ADJ. EXT. W/ CONNECTOR & TEST CAP
-1	POSITIONING FRAME	-50	NO-HUB HIGH AUXILIARY INLET, OPPOSITE VENT
-6	SUPPLY PIPE SUPPORT (SPECIFY TYPE OF PIPE)	-54	THREADED HIGH AUXILIARY INLET, OPPOSITE VENT
-21	HANGER TYPE CLOSET ADAPTER	-XSD	EXTRA SPECIAL DUTY 1,000 LB CARRIER
-SDH	SPECIAL DUTY HIGH 750 LB CARRIER		

DATE OF LAST CHANGE: 8/10/21

DIMENSIONS ARE SUBJECT TO MANUFACTURERS TOLERANCES AND CHANGE WITHOUT NOTICE. WE CAN ASSUME NO RESPONSIBILITY FOR USE OF SUPERSEDED OR VOID DATA.

JOSAM
 MICHIGAN CITY, INDIANA

NOTES