

SPECIFICATION:

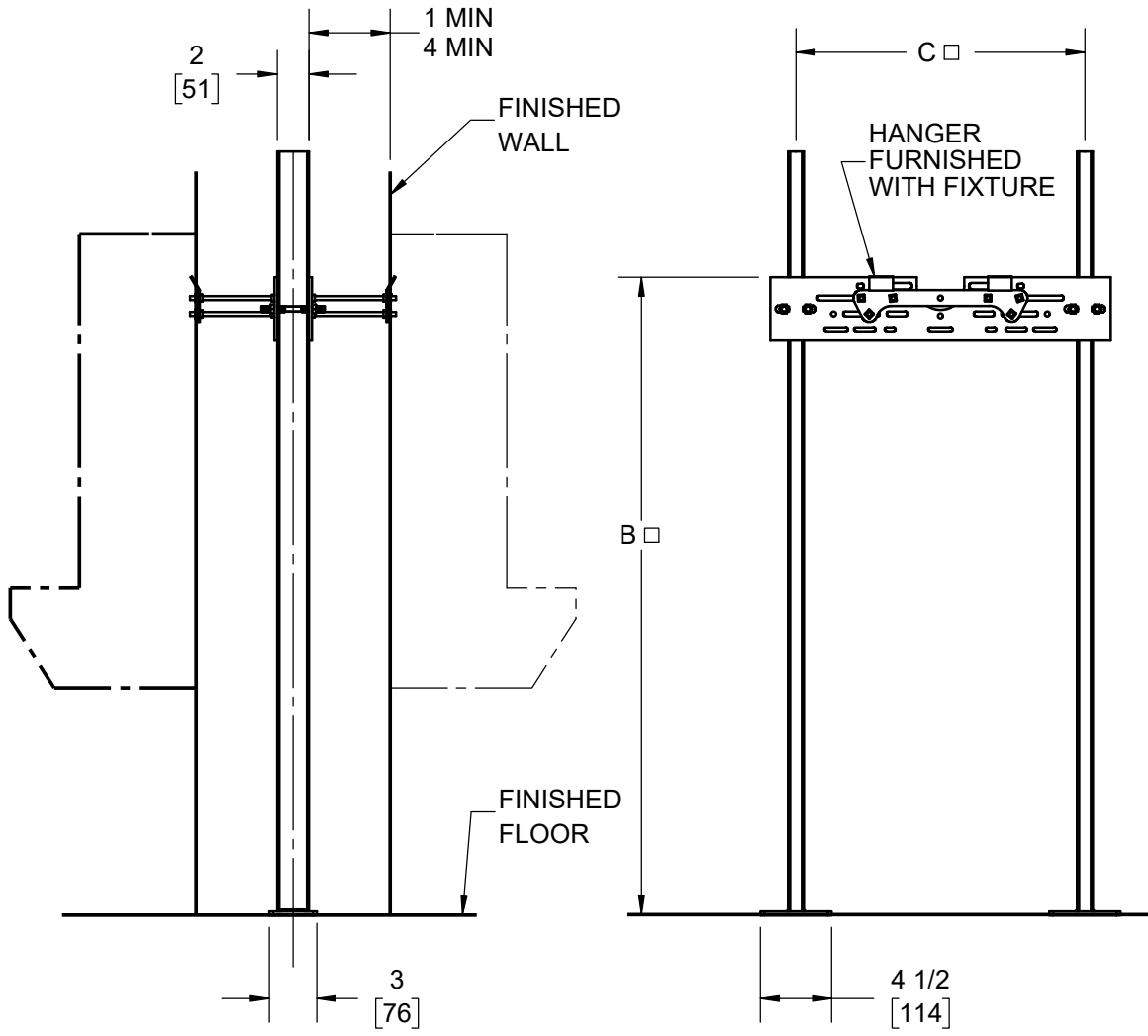
JOSAM 17550-UR-BB SERIES FLOOR-MOUNTED, BACK TO BACK URINAL CARRIER WITH HANGER & BEARING PLATE, ADJUSTABLE SUPPORTING RODS, STRUCTURAL UPRIGHTS, WELDED FEET AND CHROME PLATED TRIM.

**URINAL CARRIER
FLOOR-MOUNT BEARING PLATE**

SERIES **17550-UR-BB**

REUSABLE ALIGNMENT TOOL AVAILABLE

□ VARIABLE - DEPENDS ON FIXTURE
EXCEPT WHEN STANDARD PLATE IS
FURNISHED C = 18-1/4"



MANUFACTURER

NUMBER

SIZE

NAME

DIMENSIONS

B _____

C _____

E _____

H _____

J _____

RIM HEIGHT
BASED ON "B" DIM SHOWN

RECOMMEND ALL FEET BE SECURED TO FLOOR WITH 1/2" BOLTS AND ANCHORS BY OTHERS.

X	-UR	URINAL CARRIER
	-10	HARDWARE FOR WALLS OVER 4", SPECIFY WALL THICKNESS

WARNING: Cancer and Reproductive Harm - www.P65Warnings.ca.gov

DATE OF LAST CHANGE: 08/29/24 JTJ

DIMENSIONS ARE SUBJECT TO MANUFACTURERS
TOLERANCES AND CHANGE WITHOUT NOTICE.
WE CAN ASSUME NO RESPONSIBILITY FOR
USE OF SUPERSEDED OR VOID DATA.

JOSAM

MICHIGAN CITY, INDIANA

NOTES