

**SPECIFICATION:**

JOSAM 17720-66-M1783 SERIES FLOOR MOUNTED SINK CARRIER WITH SUPPORT PLATES, ADJUSTABLE RODS, HEADERS, AND STRUCTURAL UPRIGHTS.

**SINK CARRIER**

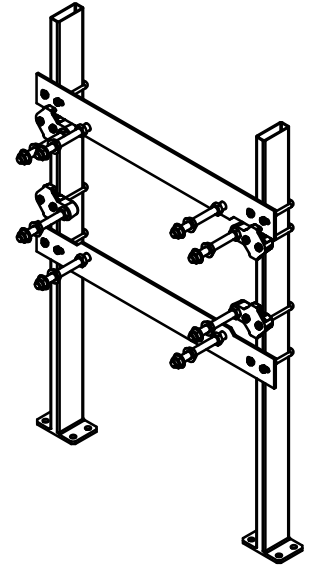
WH3740BAR

SERIES

**17720-66-M1783**

NOTES:  
USED TO MOUNT WHITEHALL MANUFACTURING WH3740BAR.  
NOT ALL HARDWARE SHOWN.

JOSAM RECOMMENDS - FEET BE SECURED TO FLOOR WITH 1/2" BOLTS AND ANCHORS BY OTHERS

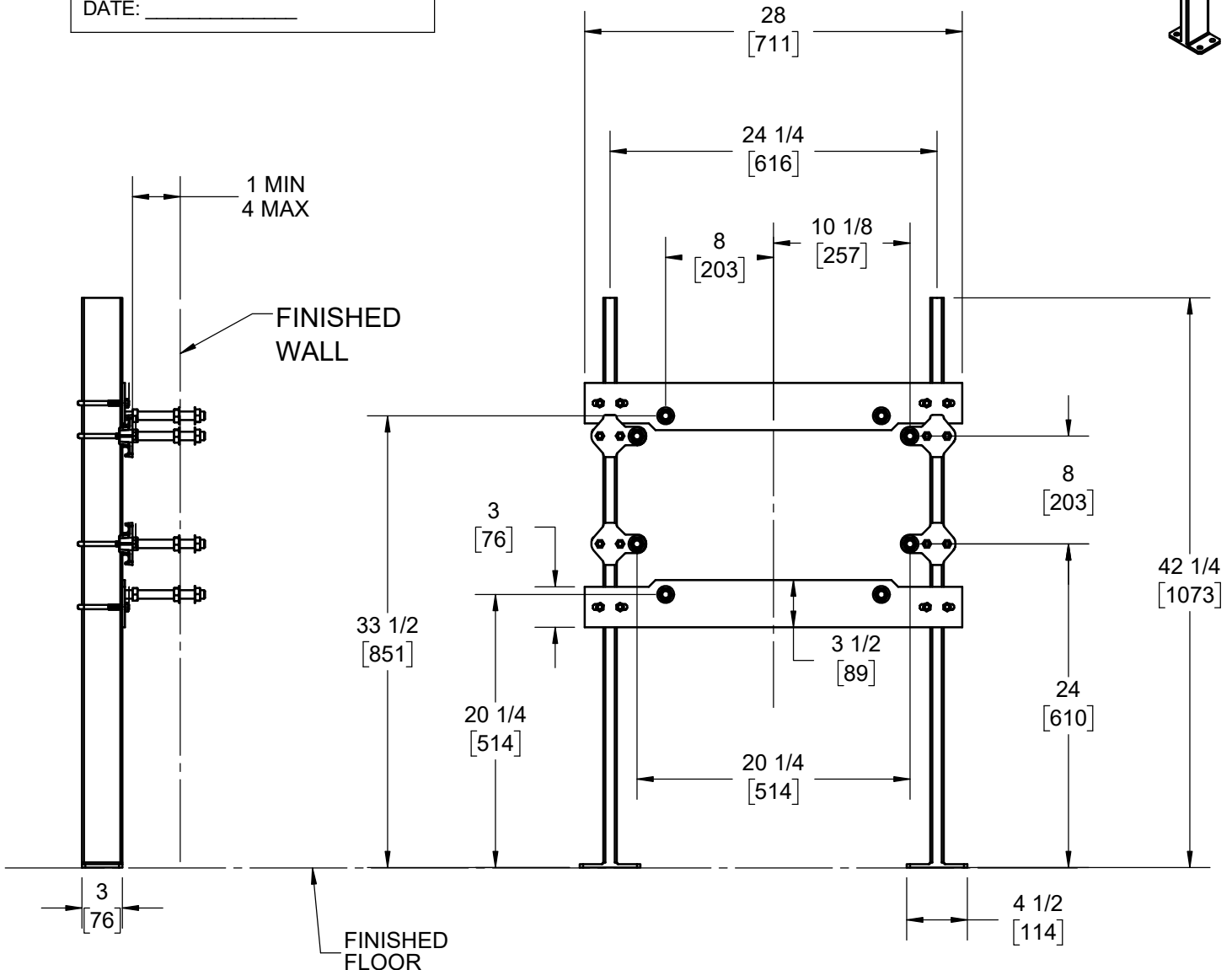


PRODUCT IS NON-CANCELABLE  
AND NON-RETURNABLE

NAME: \_\_\_\_\_

SIGNATURE: \_\_\_\_\_

DATE: \_\_\_\_\_



WARNING: Cancer and Reproductive Harm - www.P65Warnings.ca.gov

DATE OF LAST CHANGE: 11/02/21

DIMENSIONS ARE SUBJECT TO MANUFACTURERS TOLERANCES AND CHANGE WITHOUT NOTICE. WE CAN ASSUME NO RESPONSIBILITY FOR USE OF SUPERSEDED OR VOID DATA.



MICHIGAN CITY, INDIANA

NOTES