

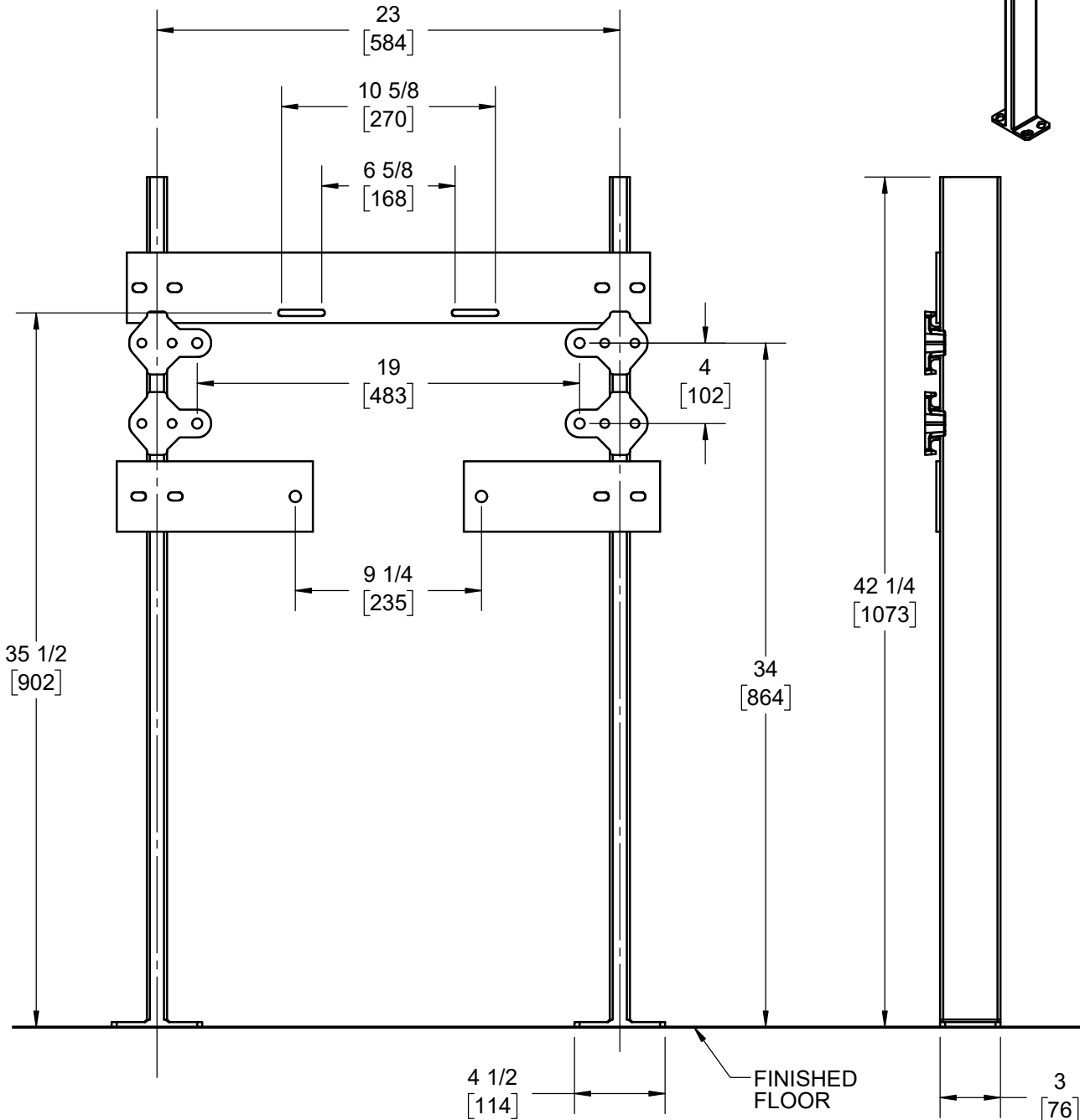
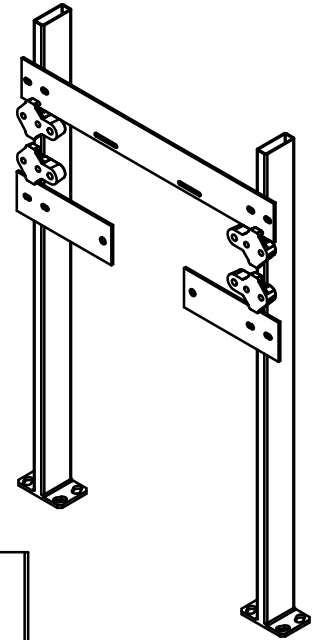
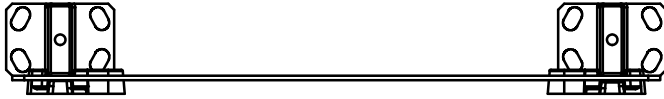
SPECIFICATION:

JOSAM 17720-66-M1804 SERIES FLOOR MOUNTED SINK CARRIER WITH SUPPORT PLATES, ADJUSTABLE RODS, HEADERS, AND STRUCTURAL UPRIGHTS. DESIGNED TO SUPPORT ACORN 3701 WASH BASIN.

**FIXTURE CARRIER
SPECIAL**

SERIES **17720-66-M1804**

JOSAM RECOMMENDS - FEET BE SECURED TO FLOOR WITH 1/2" BOLTS AND ANCHORS BY OTHERS



WARNING: Cancer and Reproductive Harm - www.P65Warnings.ca.gov

DATE OF LAST CHANGE: 6/30/23 JTJ

DIMENSIONS ARE SUBJECT TO MANUFACTURERS TOLERANCES AND CHANGE WITHOUT NOTICE. WE CAN ASSUME NO RESPONSIBILITY FOR USE OF SUPERSEDED OR VOID DATA.

JOSAM
MICHIGAN CITY, INDIANA

NOTES