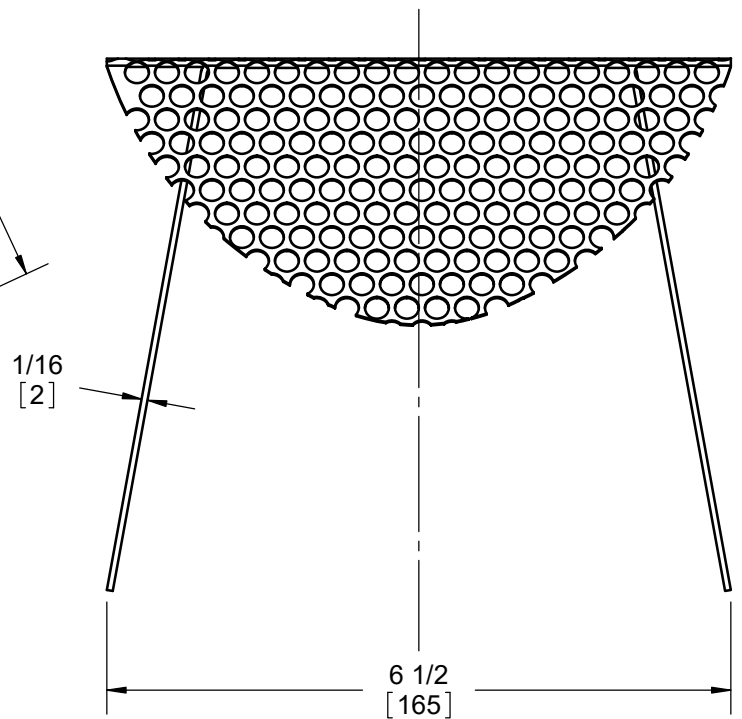
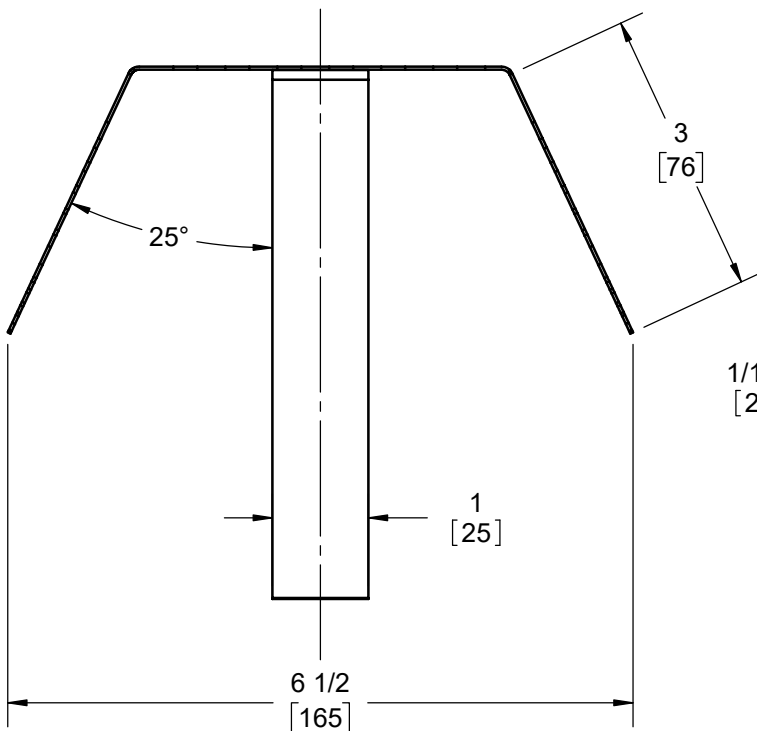
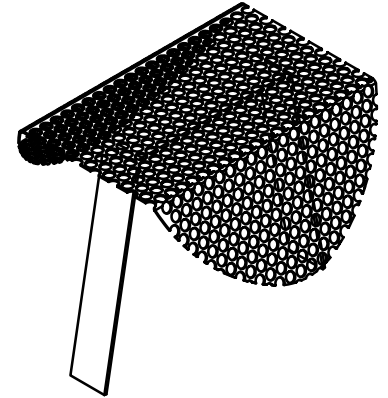
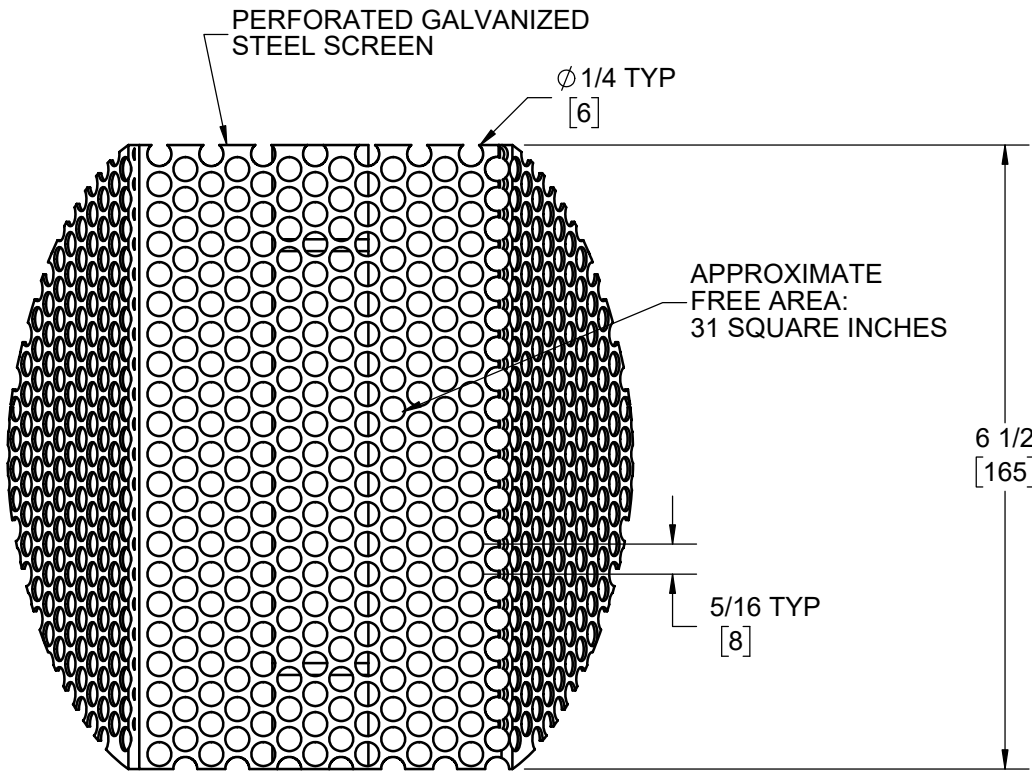


SPECIFICATION:

JOSAM 200 DOME BOTTOM OUTLET STRAINER WITH PERFORATED GALVANIZED STEEL SCREEN.

PRO-PLUS
DOME BOTTOM STRAINER 200C

SERIES **200-DBS**



WARNING: Cancer and Reproductive Harm - www.P65Warnings.ca.gov

DATE OF LAST CHANGE: 06/15/21

DIMENSIONS ARE SUBJECT TO MANUFACTURERS TOLERANCES AND CHANGE WITHOUT NOTICE. WE CAN ASSUME NO RESPONSIBILITY FOR USE OF SUPERSEDED OR VOID DATA.

JOSAM
MICHIGAN CITY, INDIANA

NOTES