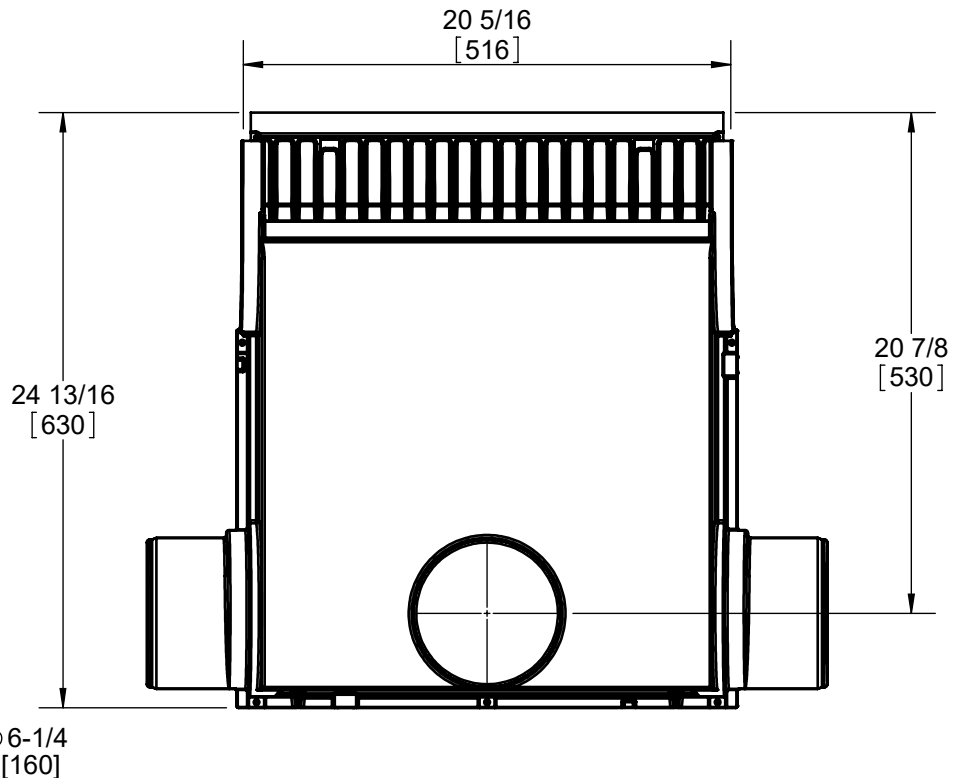
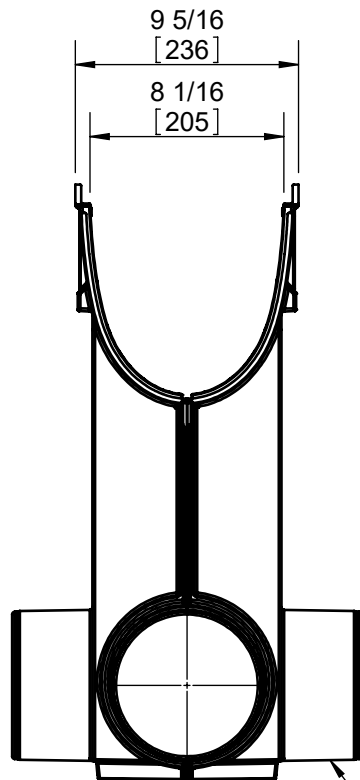
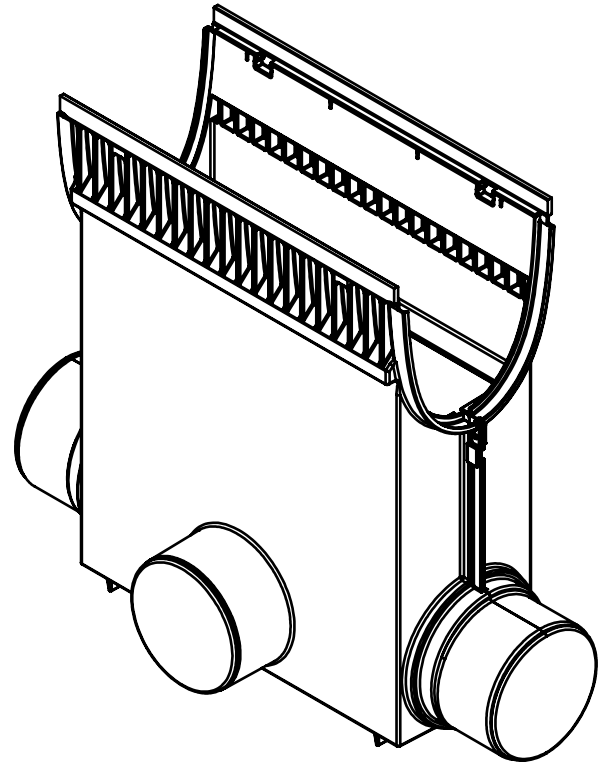
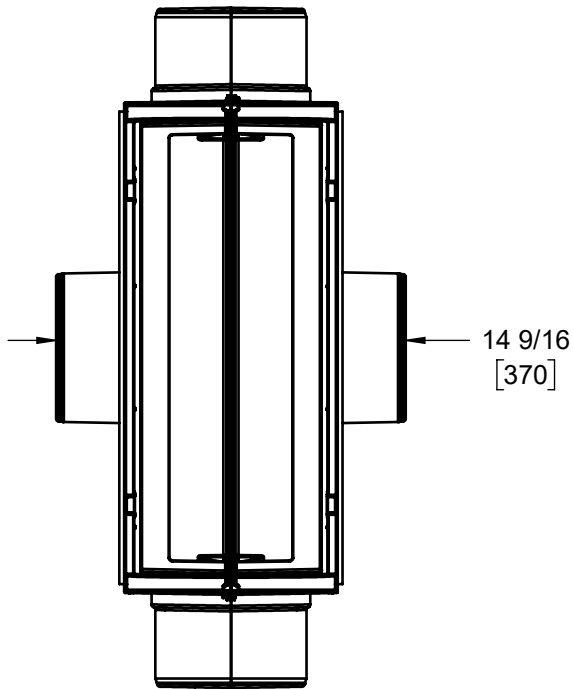


**SPECIFICATION:**

JOSAM 200-SB SILT BOX WITH SEDIMENT BUCKET FOR USE WITH PRO-PLUS 200C SERIES 8" INTERNAL WIDTH NEUTRAL TRENCH CHANNELS. MADE WITH SMC/GRP MATERIAL WITH AVAILABLE PIPE CONNECTIONS.

**PRO-PLUS**  
**SILT BOX 200C**  
**WITH SEDIMENT BUCKET**

SERIES **200-SB**



⚠ WARNING: Cancer and Reproductive Harm - www.P65Warnings.ca.gov

DATE OF LAST CHANGE: 11/21/22 BDT

DIMENSIONS ARE SUBJECT TO MANUFACTURERS TOLERANCES AND CHANGE WITHOUT NOTICE. WE CAN ASSUME NO RESPONSIBILITY FOR USE OF SUPERSEDED OR VOID DATA.

**JOSAM**  
 MICHIGAN CITY, INDIANA

NOTES