

**SPECIFICATION:**

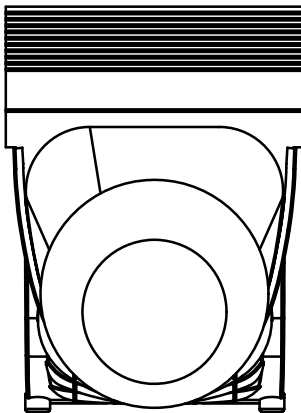
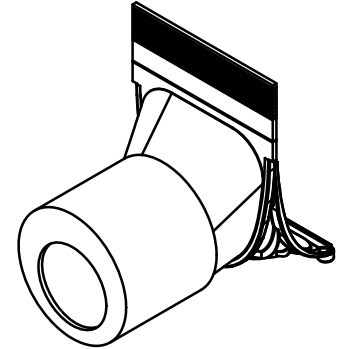
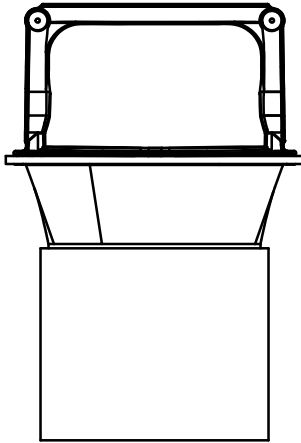
200-SIO4 IS AN ASSEMBLY OF A 200-SIO6 AND ECCENTRIC BUSHING ASSEMBLED AND SILICONE IS APPLIED IN ALL GAPS. SECURES TO BOTTOM OF TRENCH WITH TWO SCREWS AND PROVIDES A SIDE INLET OR OUTLET FOR 4" PVC PIPE TO CONNECT TO.

**SIDE INLET/OUTLET CONNECTOR**

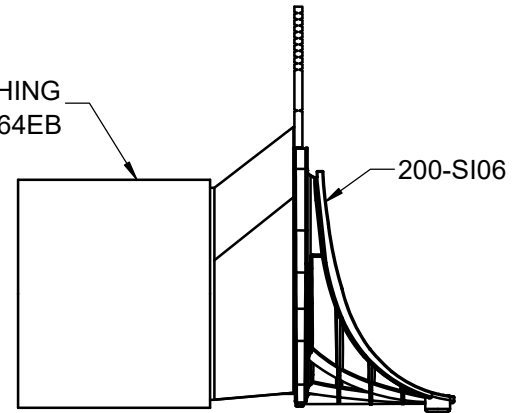
**JOSAM**

SERIES /  
PART NO

**200-SIO4**



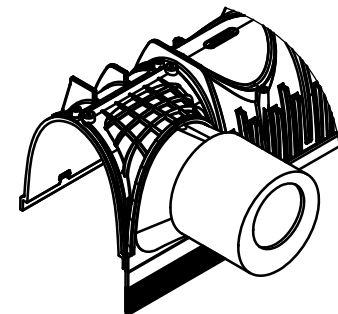
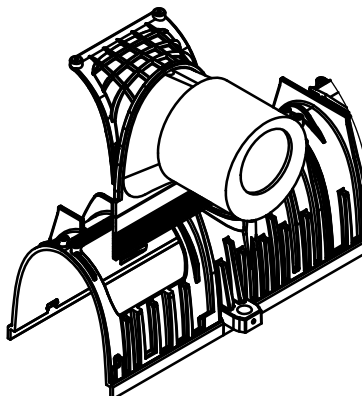
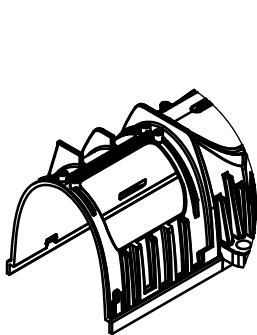
ECCENTRIC BUSHING  
1056-64EB



**INSTALLATION INSTRUCTIONS**

1. CUT OUT SIDE KNOCKOUT OF CHANNEL
2. PLACE 200-SIO4 INTO POSITION
3. ATTACH TO CHANNEL SCREW BOSSES WITH TWO SCREWS (PROVIDED)

	<b>PART NO</b>	
	200-SIO4XL20	<b>FOR USE ON CHANNELS 11-20</b>



WARNING: Cancer and Reproductive Harm - www.P65Warnings.ca.gov

DATE OF LAST CHANGE: 12/15/22 JJ

DIMENSIONS ARE SUBJECT TO MANUFACTURERS TOLERANCES AND CHANGE WITHOUT NOTICE. WE CAN ASSUME NO RESPONSIBILITY FOR USE OF SUPERSEDED OR VOID DATA.

**JOSAM**

MICHIGAN CITY, INDIANA

NOTES