

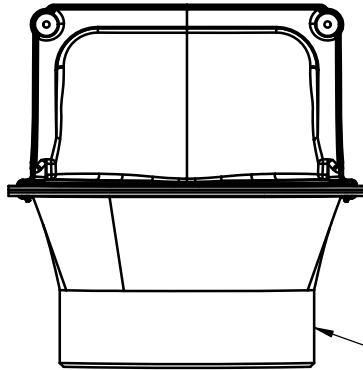
SPECIFICATION:

200-SIO6 IS AN ASSEMBLY OF A 200-CT AND A 200-OE6. PARTS ARE ASSEMBLED AND SILICONE IS APPLIED IN ALL GAPS. SECURES TO BOTTOM OF TRENCH WITH TWO SCREWS AND PROVIDES A SIDE INLET OR OUTLET FOR 6" PVC PIPE TO CONNECT TO.

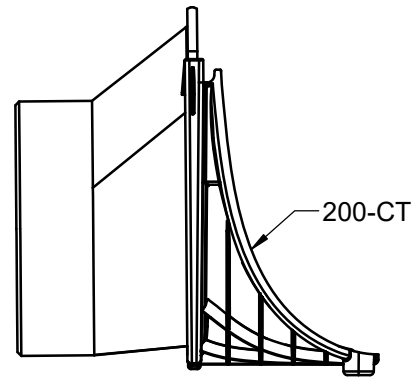
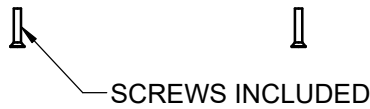
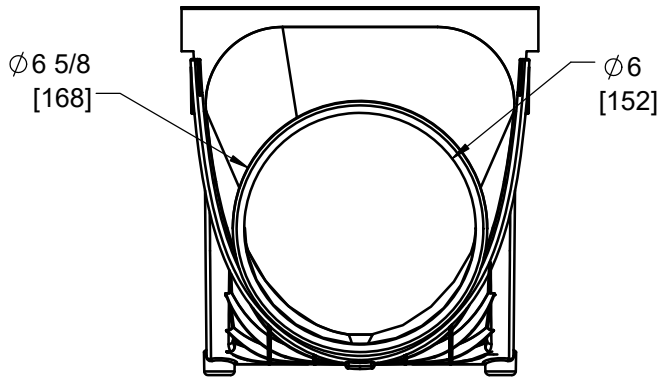
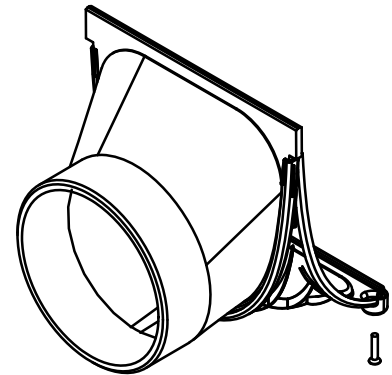
SIDE INLET/OUTLET CONNECTOR

JOSAM

SERIES **200-SIO6**



200-OE6

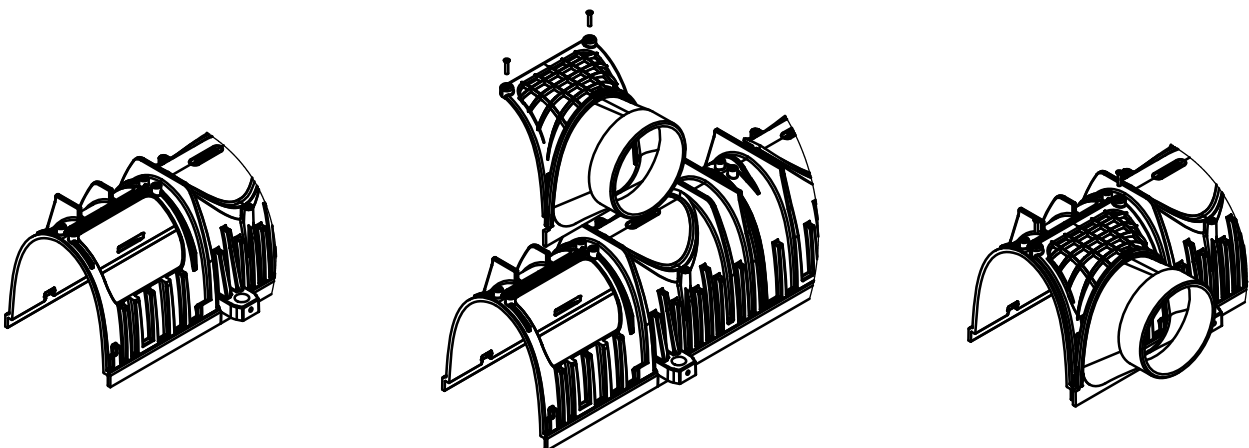


200-CT

INSTALLATION INSTRUCTIONS

1. CUT OUT SIDE KNOCKOUT OF CHANNEL
2. PLACE 200-SIO6 INTO POSITION
3. ATTACH TO CHANNEL SCREW BOSSES WITH TWO SCREWS (PROVIDED)

	PART NO	
	200-SIO6XL20	FOR USE ON CHANNELS 11-20



WARNING: Cancer and Reproductive Harm - www.P65Warnings.ca.gov

DATE OF LAST CHANGE: 12/15/22 JTJ

DIMENSIONS ARE SUBJECT TO MANUFACTURERS TOLERANCES AND CHANGE WITHOUT NOTICE. WE CAN ASSUME NO RESPONSIBILITY FOR USE OF SUPERSEDED OR VOID DATA.



MICHIGAN CITY, INDIANA

NOTES