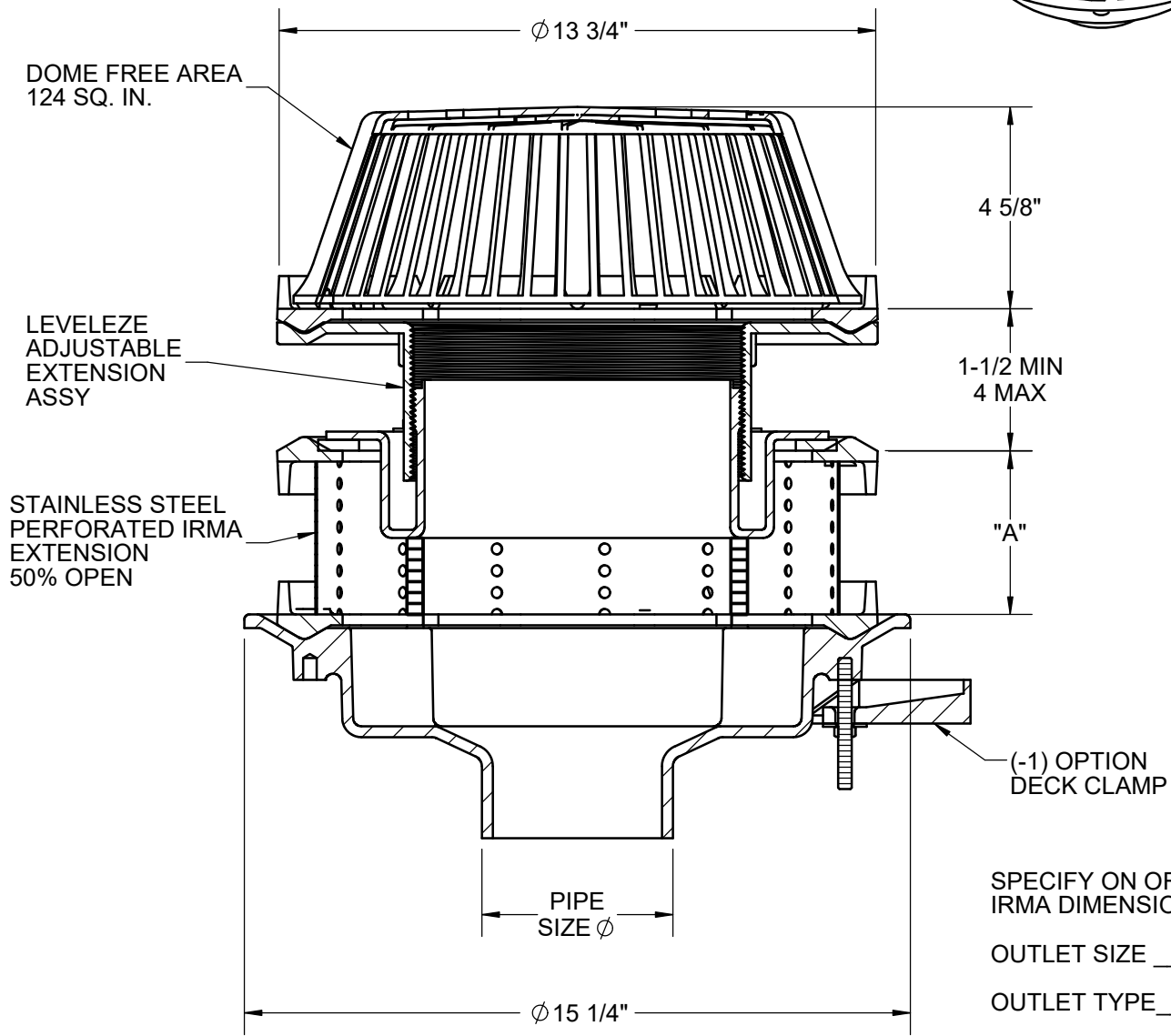
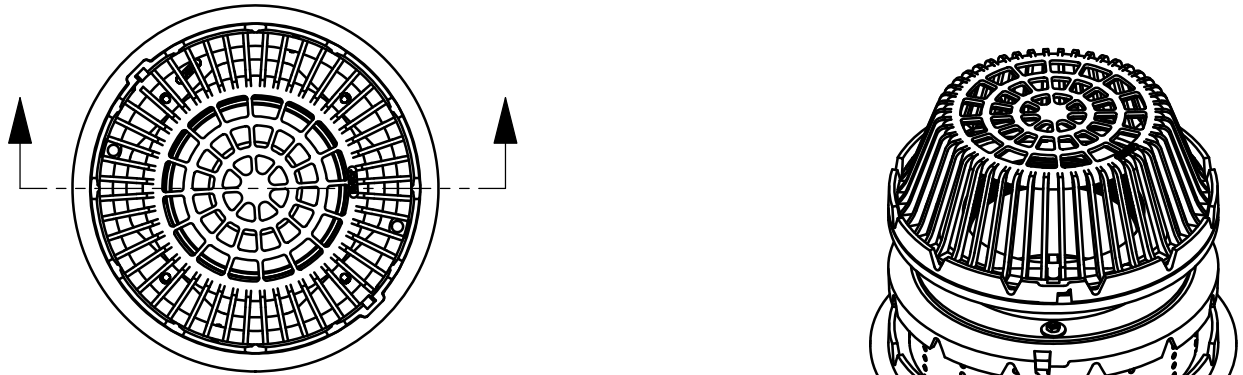


SPECIFICATION:

JOSAM 21500-IRMA-AE SERIES COATED CAST IRON ROOF DRAIN, LARGE POLYPROPYLENE LOCKING DOME, STAINLESS STEEL PERFORATED EXTENSION, WEJLOC NON-PUNCTURING CLAMP RING WITH GRAVEL GUARD, LEVELEZE ADJUSTABLE EXTENSION WITH BOLTED SUPPORT RING, AND LARGE SUMP WITH WIDE ROOF FLANGE AND BOTTOM OUTLET.

**ROOF DRAIN
ADJUSTABLE EXTENSION
AND IRMA SCREEN**

SERIES / PART NO **21500-IRMA-AE**



SPECIFY ON ORDER:
 IRMA DIMENSION "A" _____
 OUTLET SIZE _____
 OUTLET TYPE _____
 OPTIONS _____

SEE 21500-AE DRAWING FOR MORE DETAILS, OPTIONS, AND DIMENSIONS

WARNING: Cancer and Reproductive Harm - www.P65Warnings.ca.gov

DATE OF LAST CHANGE: 02/11/22

DIMENSIONS ARE SUBJECT TO MANUFACTURERS TOLERANCES AND CHANGE WITHOUT NOTICE. WE CAN ASSUME NO RESPONSIBILITY FOR USE OF SUPERSEDED OR VOID DATA.



MICHIGAN CITY, INDIANA

NOTES