

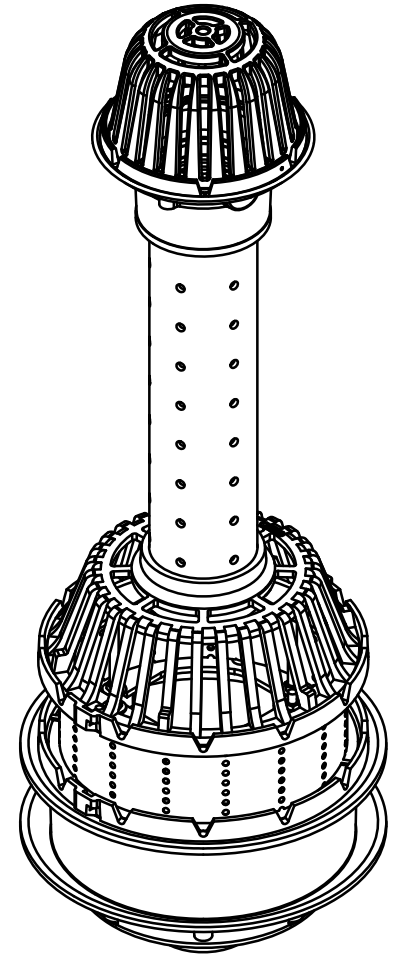
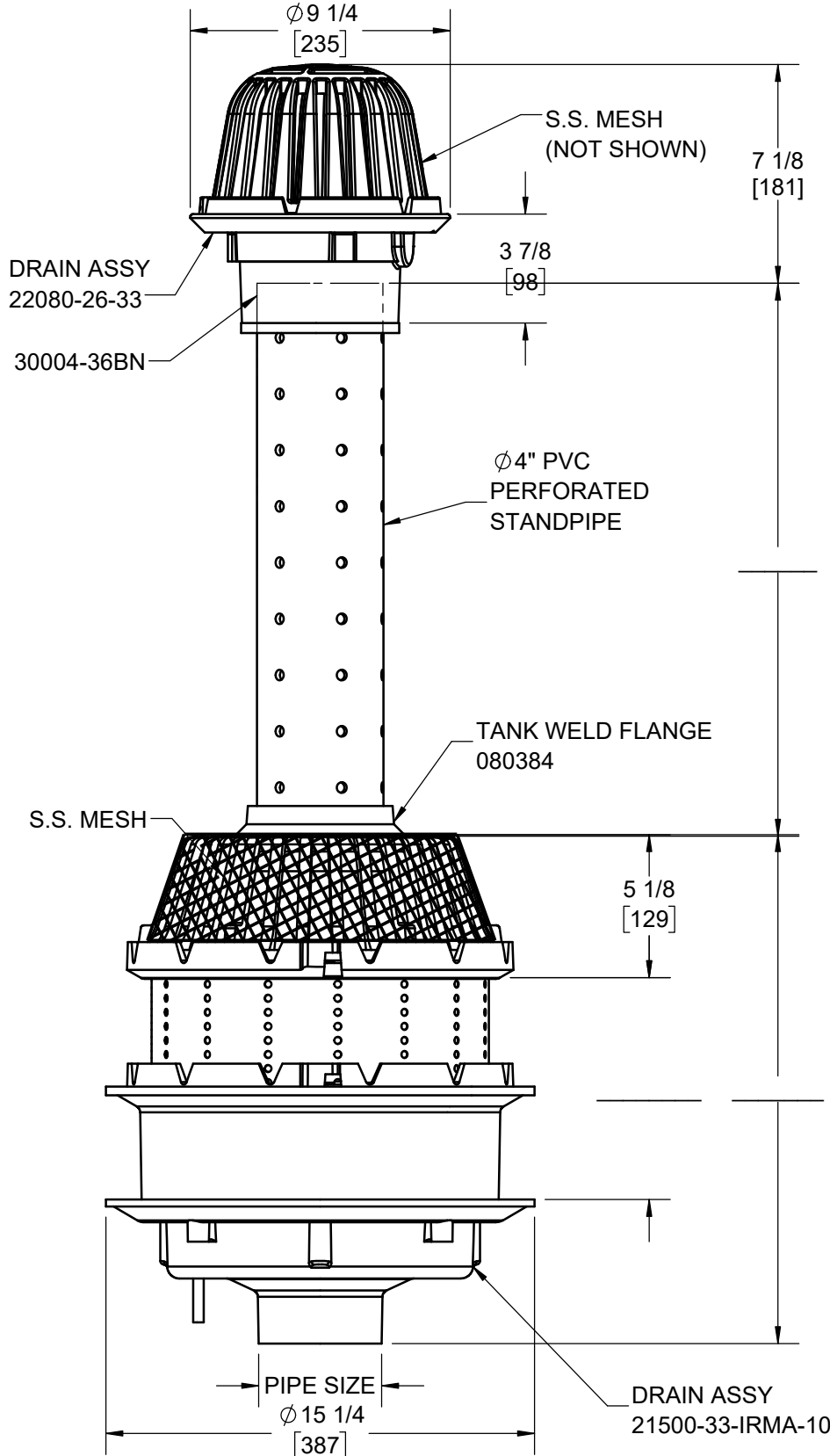
SPECIFICATION:

JOSAM SERIES 21500-Q607-IRMA COATED CAST IRON LOWER DRAIN AND WEJLOC CLAMP RING WITH SS MESH COVERED CAST IRON DOME MODIFIED FOR THREADED PVC STANDPIPE. 22080 COATED CAST IRON UPPER DRAIN BODY AND WEJLOC CLAMP RING WITH SS MESH COVERED ALUMINUM DOME - AND NO HUB (STANDARD) OULTLET.

ROOF DRAIN
MULTI- LEVEL PLANTING AREA

SERIES 21500-Q607-IRMA-10

SEE 21500 & 22080 SUBMITTALS FOR OTHER OPTIONS & DETAILS



NO
S.S. MESH SHOWN
IN THIS VIEW

PIPE SIZE	
	2" PIPE
	3" PIPE
	4" PIPE

WARNING: Cancer and Reproductive Harm - www.P65Warnings.ca.gov

DATE OF LAST CHANGE: 4/23/24 JTJ

DIMENSIONS ARE SUBJECT TO MANUFACTURERS TOLERANCES AND CHANGE WITHOUT NOTICE. WE CAN ASSUME NO RESPONSIBILITY FOR USE OF SUPERSEDED OR VOID DATA.

JOSAM

MICHIGAN CITY, INDIANA

NOTES