

SPECIFICATION:

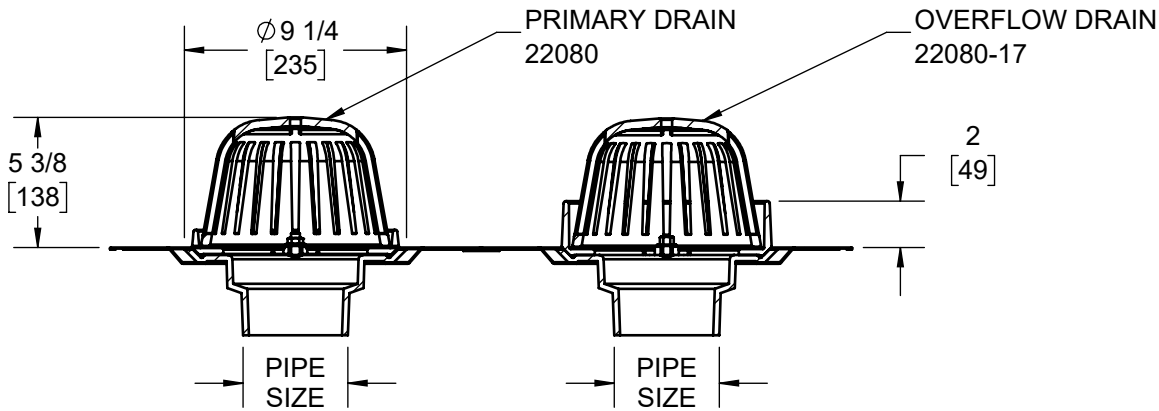
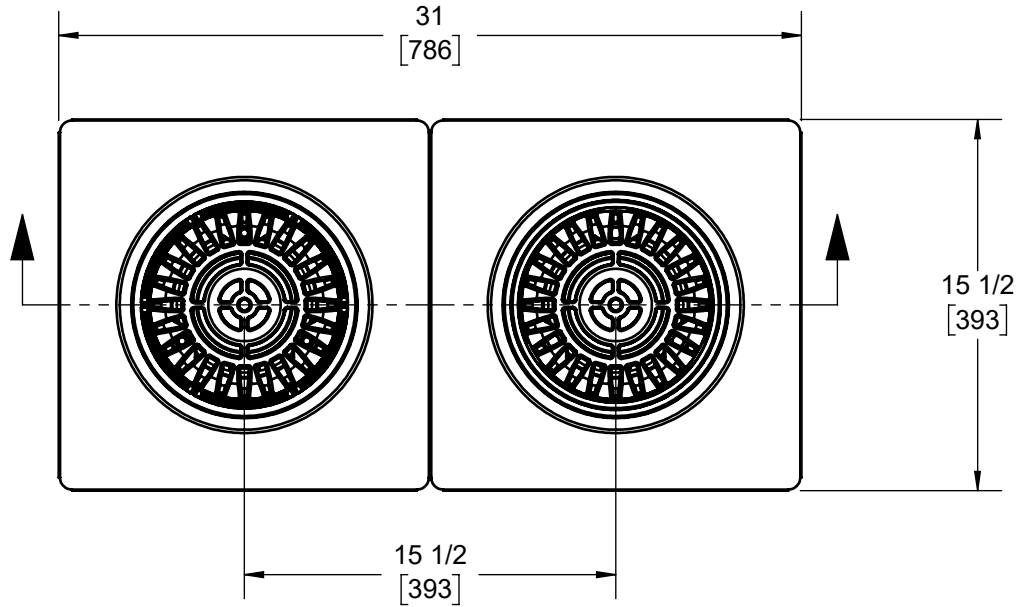
JOSAM SERIES 22080-Q5-RCSD SMALL SUMP COMBINATION ROOF DRAIN WITH COATED CAST IRON PARTS AND DOUBLE, RECESSED, GALVANIZED STEEL DRAIN RECEIVER.

**ROOF DRAIN
COMBINATION**

SERIES 22080-Q5-RCSD

DOME FREE AREA: 37.6 SQ. IN (EACH)

SEE 22080 SUBMITTAL FOR MORE DRAIN DETAILS



	2"	PIPE SIZE
	3"	PIPE SIZE
	4"	PIPE SIZE
	-X	INSIDE CAULK OUTLET
	-Y	HUB OUTLET WITH GASKET
	-Z	NO-HUB OUTLET
	-PVC	PVC DRAIN BODIES

WARNING: Cancer and Reproductive Harm - www.P65Warnings.ca.gov

DATE OF LAST CHANGE: 5/21/2021

DIMENSIONS ARE SUBJECT TO MANUFACTURERS TOLERANCES AND CHANGE WITHOUT NOTICE. WE CAN ASSUME NO RESPONSIBILITY FOR USE OF SUPERSEDED OR VOID DATA.



MICHIGAN CITY, INDIANA

NOTES