

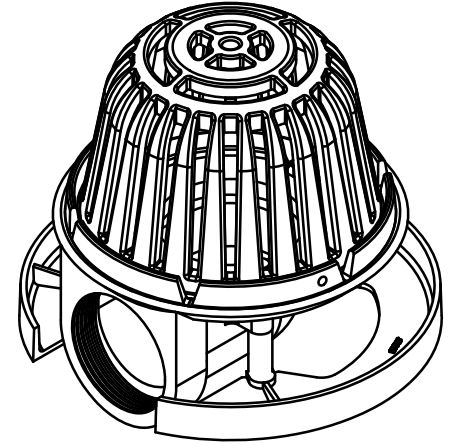
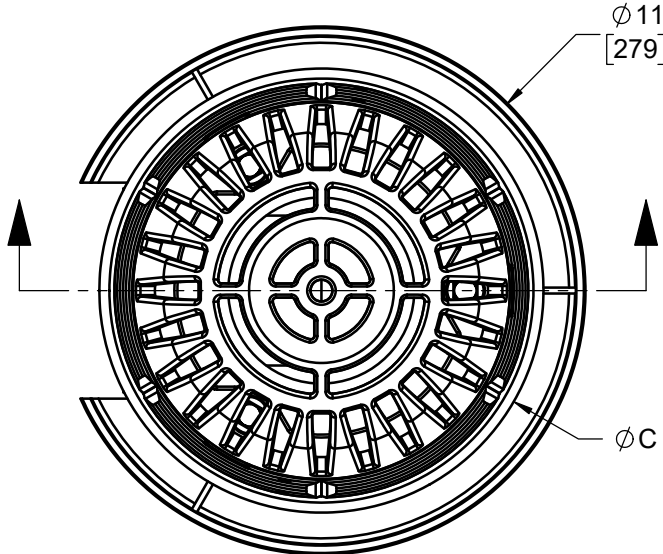
SPECIFICATION:

JOSAM 22080-TSO SERIES COATED CAST IRON ROOF DRAIN, BEEHIVE DOME, WEJLOC® NON-PUNCTURING CLAMP RING WITH INTEGRAL GRAVEL STOP, SMALL SUMP WITH ROOF FLANGE AND INTEGRAL THREADED SIDE OUTLET.

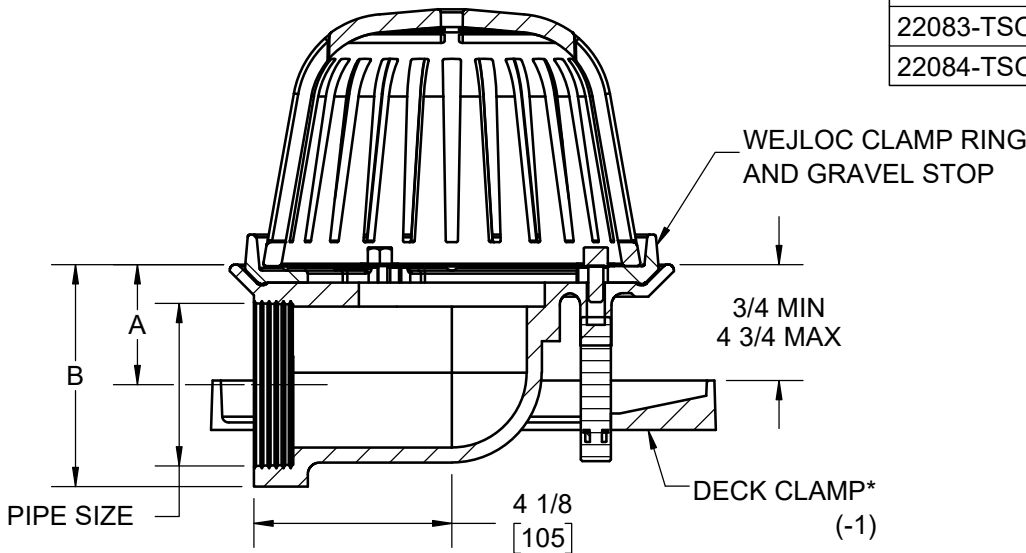
ROOF DRAIN
SMALL SUMP, HIGH DOME,
SIDE OUTLET CONNECTION

SERIES **22080-TSO**

DOME FREE AREA: 37.6 SQ. IN.



TYPE	PIPE SIZE	A	B	C
22082-TSO	2"	3	4 5/8	9 1/4
22083-TSO	3"	2 1/2	4 5/8	9 1/4
22084-TSO	4"	3 1/4	6	10 1/4



◆ GASKET ON -Y CONNECTION CONFORMS WITH ASTM-C564

**-.10 EXTENSION 1" STANDARD

▼ SEPARATE SUBMITTAL FOR THIS OPTION AVAILABLE

DRAIN RECEIVER CANNOT BE USE WITH TSO

	2" PIPE SIZE	X	-TSO*	THREADED SIDE OUTLET
	3" PIPE SIZE			
	4" PIPE SIZE		-10-20	FIXED EXT. COLLAR, GALVANIZED (SPECIFY HEIGHT **)
			-17	2" HIGH SOLID CLAMPING COLLAR
			-20	GALVANIZED CAST IRON PARTS
			-21	GALVANIZED CAST IRON DOME ONLY
			-23	ROUGH BRONZE DOME
			-33	SS MESH-COVERED DOME
-1	DECK CLAMP ASSEMBLY			
-10	FIXED EXT. COLLAR, CAST IRON (SPECIFY HEIGHT **)		-VP	VANDAL-PROOF DOME

WARNING: Cancer and Reproductive Harm - www.P65Warnings.ca.gov

DATE OF LAST CHANGE: 06/11/21

DIMENSIONS ARE SUBJECT TO MANUFACTURERS TOLERANCES AND CHANGE WITHOUT NOTICE. WE CAN ASSUME NO RESPONSIBILITY FOR USE OF SUPERSEDED OR VOID DATA.

JOSAM
 MICHIGAN CITY, INDIANA

NOTES