

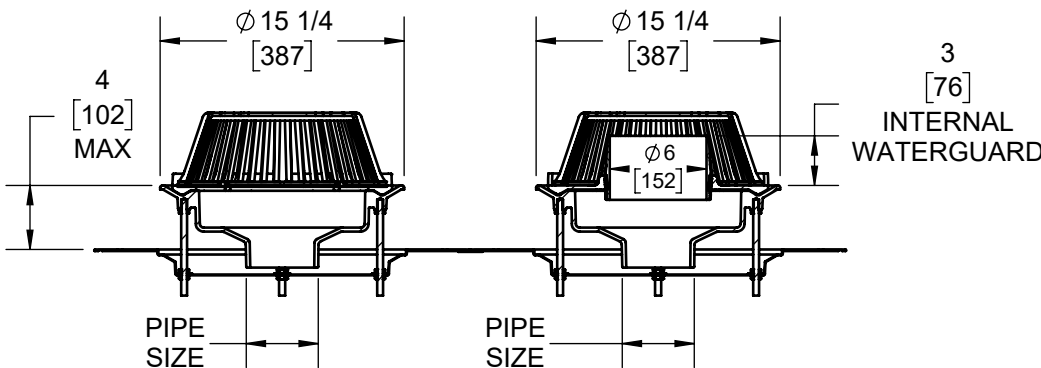
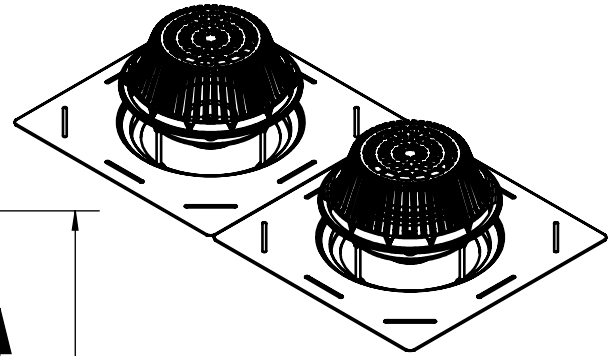
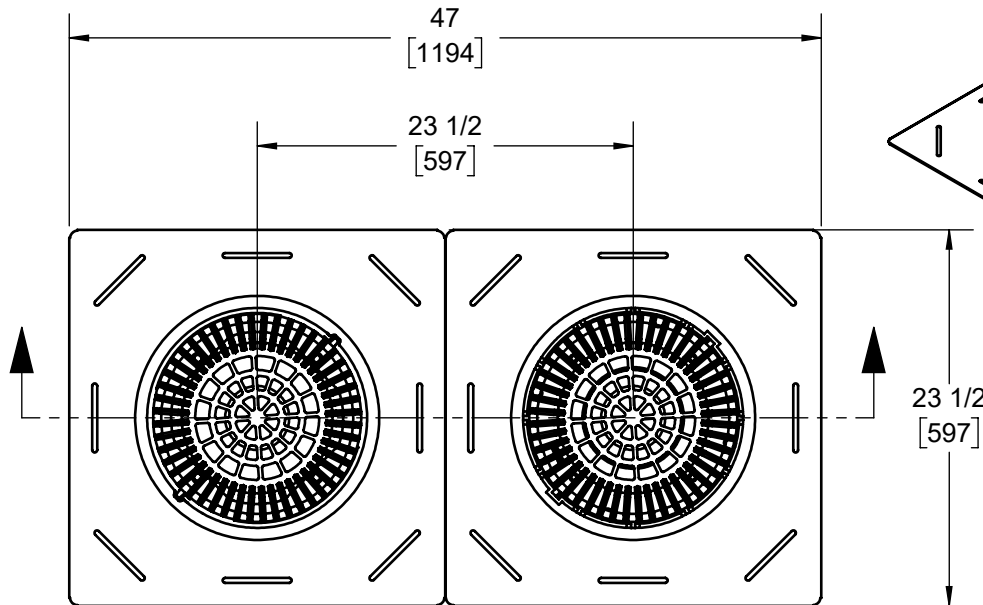
SPECIFICATION:

JOSAM 22500-AER SERIES COATED CAST IRON LARGE SUMP COMBINATION ROOF DRAIN AND OVERFLOW DRAIN, ONE (1) WEJLOC® NON-PUNCTURING CLAMP RING WITH INTEGRAL GRAVEL STOP, ONE (1) WEJLOC NON-PUNCTURING CLAMP RING WITH INTERNAL WATER GUARD, DOUBLE DRAIN RECEIVER AND CLIPS, AND TWO (2) LARGE POLYPROPYLENE LOCKING DOMES.

ROOF DRAIN

COMBINATION DRAIN/OVERFLOW,
ADJUSTABLE EXT. WITH RODS

SERIES **22500-AER**



DRAIN		OVERFLOW	
	PIPE SIZE		PIPE SIZE
	2"		2"
	3"		3"
	4"		4"
	5"		5"
	6"		6"
	8"		8"
	10"*		10"*

REC. DECK OPENING: 16-1/2" X 40"

* 10" AVAILABLE IN NO-HUB ONLY.

OPTIONS:

-10	FIXED EXT. COLLARS, CAST IRON (SPECIFY HT.**)
-17	2" OVERFLOW CLAMP COLLAR (FOR 8", 10" OUTLETS)
-19	CLAMP COLLAR WITH PERF. SS GRAVEL GUARD
-20	GALVANIZED CAST IRON PARTS
-21	GALVANIZED CAST IRON DOMES ONLY
-22	CAST IRON DOMES
-23	ROUGH BRONZE DOMES
-26	ALUMINUM DOMES
-33	STAINLESS STEEL MESH-COVERED DOMES

-1	DECK CLAMP ASSEMBLY
-SC	SOLID TOP COVER ON OVERFLOW DOME (-22 ONLY)
-VP	VANDAL-PROOF DOMES
-IRMA	PERFORATED STAINLESS STEEL EXTENSIONS
-T	THREADED OUTLET
-X	INSIDE CAULK OUTLET
-Y	HUB OUTLET WITH GASKET (2", 3" & 4" SIZES ONLY)
-Z	NO-HUB SPIGOT OUTLET

** -10 EXTENSIONS 4" STANDARD

DATE OF LAST CHANGE: 11/11/21

DIMENSIONS ARE SUBJECT TO MANUFACTURERS TOLERANCES AND CHANGE WITHOUT NOTICE. WE CAN ASSUME NO RESPONSIBILITY FOR USE OF SUPERSEDED OR VOID DATA.

JOSAM
MICHIGAN CITY, INDIANA

NOTES