

SPECIFICATION:

JOSAM 23510 SERIES COATED CAST IRON ROOF DRAIN, ROUND EXTRA-HEAVY DUTY GRATE SET IN ROUND SECURED FRAME, WEJLOC® NON-PUNCTURING FLASHING COLLAR WITH WEEPHOLES FOR 2" ROOF FILL, LARGE SUMP WITH WIDE ROOF FLANGE AND BOTTOM OUTLET.

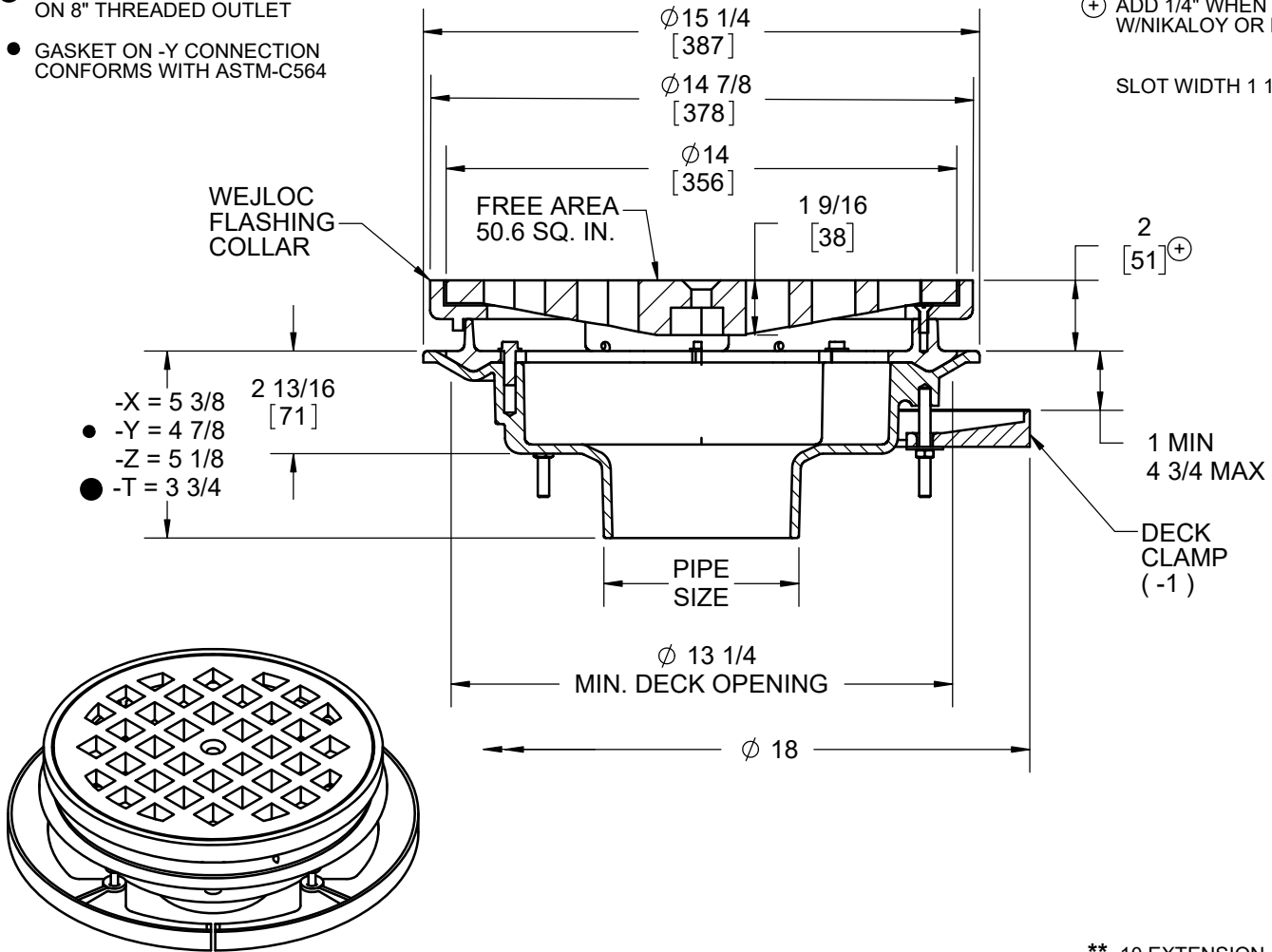
ROOF DRAIN
EXTRA-HEAVY DUTY PARKING GRATE

SERIES **23510**

- THIS DIMENSION IS 5 3/4" ON 8" THREADED OUTLET
- GASKET ON -Y CONNECTION CONFORMS WITH ASTM-C564

⊕ ADD 1/4" WHEN FURNISHED W/NIKALOY OR BRONZE TOP

SLOT WIDTH 1 1/16" SQ. HOLES



** -10 EXTENSION 4" STANDARD

2"	PIPE SIZE	-1	DECK CLAMP ASY.
3"	PIPE SIZE	-1C	DRAIN RECEIVER CLIPS (MIN. DECK OPENING $\phi 16"$)
4"	PIPE SIZE	-2	DRAIN RECEIVER
5"	PIPE SIZE	-3	DECK CLAMP ASY. AND DRAIN RECEIVER
6"	PIPE SIZE	-3C	DRAIN RECEIVER AND DRAIN RECEIVER CLIPS
8"	PIPE SIZE	-10	FIXED EXT. COLLAR, CAST IRON (SPECIFY HEIGHT **)
10"	PIPE SIZE (NO-HUB ONLY)	-10-20	FIXED EXT. COLLAR, GALVANIZED (SPECIFY HEIGHT **)
		-20	GALVANIZED CAST IRON PARTS
-X	INSIDE CAULK OUTLET	-36	DUCTILE IRON GRATE (CAST IRON TOP ONLY)
-Y	HUB OUTLET W/GASKET (2", 3" & 4" SIZES ONLY)	-50	SATIN FINISH NIKALOY TOP
-Z	NO-HUB SPIGOT OUTLET	-51	SATIN FINISH BRONZE TOP
-T	THREADED OUTLET		
		-VP	SECURED GRATE, VANDAL-PROOF SCREWS
-CR	CLAMPING DRAIN RECEIVER (MIN. DECK OPENING $\phi 16"$)		

DATE OF LAST CHANGE: 10/07/22 | BLK

DIMENSIONS ARE SUBJECT TO MANUFACTURERS TOLERANCES AND CHANGE WITHOUT NOTICE. WE CAN ASSUME NO RESPONSIBILITY FOR USE OF SUPERSEDED OR VOID DATA.

JOSAM
MICHIGAN CITY, INDIANA

NOTES