

SPECIFICATION:

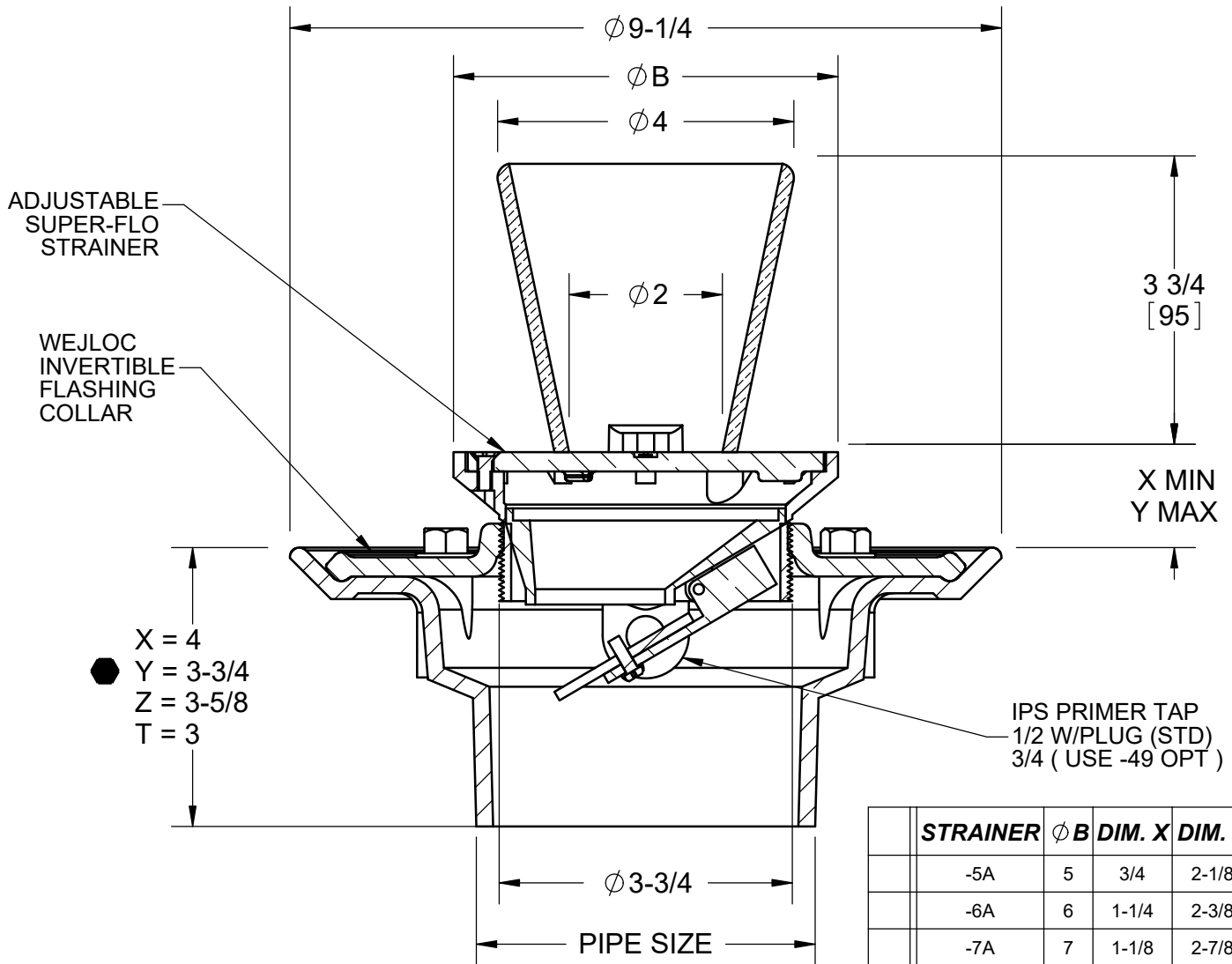
JOSAM 30000-A-J-F4 SERIES CAST IRON FLOOR DRAIN, TWO-PIECE BODY WITH DOUBLE DRAINAGE FLANGE & 1/2" PRIMER TAP, WEJLOC® INVERTIBLE FLASHING COLLAR, WEEPHOLES, BOTTOM OUTLET CONNECTION, ROUND FUNNEL ATTACHED, NIKALOY ADJUSTABLE ROUND SUPER-FLO® STRAINER AND J BACKWATER VALVE.

FLOOR DRAIN
**ADJUSTABLE FLOOR DRAIN W/
 BACKWATER VALVE & FUNNEL**

SERIES **30000-A-J-F4**

● GASKET ON -Y CONNECTION CONFORMS WITH ASTM-C564

SLOT WIDTH 1/4"



● X = 4
 Y = 3-3/4
 Z = 3-5/8
 T = 3

IPS PRIMER TAP
 1/2 W/PLUG (STD)
 3/4 (USE -49 OPT)

	STRAINER	Ø B	DIM. X	DIM. Y	FREE AREA
	-5A	5	3/4	2-1/8	7.8
	-6A	6	1-1/4	2-3/8	11.0
	-7A	7	1-1/8	2-7/8	13.2
	-8A	8	1-5/8	2-5/8	16.2

▼ SEPARATE SUBMITTAL FOR THIS OPTION AVAILABLE

	2"	PIPE SIZE		-93	CAST IRON FUNNEL
	3"	PIPE SIZE		-SS	STAINLESS STEEL
	4"	PIPE SIZE		-2	BRONZE ADJUSTABLE STRAINER & FUNNEL
				-80	PERFORATED STAINLESS STEEL BASKET
	-TSO	THREADED SIDE OUTLET		-CP	CHROME PLATED STRAINER (5A & 6A)
▼	-ST	WITH SHALLOW TRAP (2" & 3" ONLY)		-VP	SECURED GRATE, VANDAL-PROOF SCREWS
▼	-PD	PRISON DRAIN (2" & 3" ONLY)			
▼	-ARE	ACID RESISTING EPOXY		-T	THREADED OUTLET
	-49	3/4 PRIMER TAP		-X	INSIDE CAULK OUTLET
	-91	ROUGH BRONZE BODY		-Y	HUB OUTLET WITH GASKET
	-92	GALVANIZED CAST IRON PARTS		-Z	NO-HUB SPIGOT OUTLET

DATE OF LAST CHANGE: 10/18/23 JTJ

DIMENSIONS ARE SUBJECT TO MANUFACTURERS TOLERANCES AND CHANGE WITHOUT NOTICE. WE CAN ASSUME NO RESPONSIBILITY FOR USE OF SUPERSEDED OR VOID DATA.

JOSAM

MICHIGAN CITY, INDIANA

NOTES

WARNING: Cancer and Reproductive Harm - www.P65Warnings.ca.gov