

**SPECIFICATION:**

JOSAM 30000-S-SS-T SERIES TYPE 316 CAST STAINLESS STEEL FLOOR DRAIN, TWO-PIECE BODY WITH DOUBLE DRAINAGE FLANGE, WEJLOC® INVERTIBLE FLASHING COLLAR, WEEPHOLES, BOTTOM THREADED OUTLET CONNECTION AND ADJUSTABLE SQUARE SUPER-FLO® STRAINER.  
STANDARD STRAINER IS TYPE 304 SS.

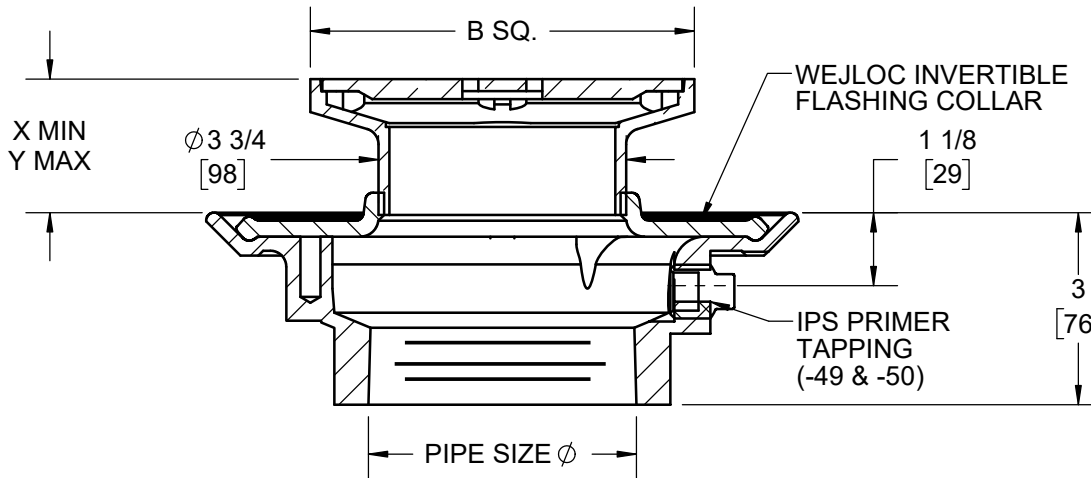
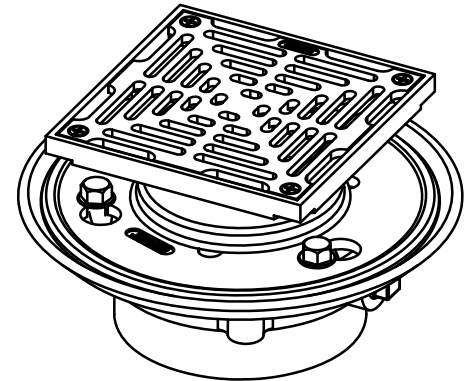
**STAINLESS STEEL  
ADJUSTABLE FLOOR DRAIN**

SERIES **30000-S-SS-T**

SLOT WIDTH 1/4"

ADJUSTABLE  
SUPER-FLO  
STRAINER

Ø 9 1/4  
[235]



STAINER	B	X	Y	FREE AREA (SQ. IN.)
-5S-SS	5	7/8"	1-7/8"	9.1
-6S-SS	6	7/8"	2-1/4"	13.8
-8S-SS	8	1-1/4"	2-1/2"	24.5

PIPE SIZE
2"
3"
4"

-VP	SECURED GRATE, VANDAL-PROOF SCREWS
-49	3/4" PRIMER TAP
-50	1/2" PRIMER TAP
-80	PERFORATED STAINLESS STEEL BASKET
-316	TYPE 316 SS STRAINER (-6S ONLY)

PRODUCT IS NON-CANCELABLE  
AND NON-RETURNABLE

NAME: \_\_\_\_\_

SIGNATURE: \_\_\_\_\_

DATE: \_\_\_\_\_

DATE OF LAST CHANGE: 07/15/21

DIMENSIONS ARE SUBJECT TO MANUFACTURERS TOLERANCES AND CHANGE WITHOUT NOTICE. WE CAN ASSUME NO RESPONSIBILITY FOR USE OF SUPERSEDED OR VOID DATA.

**JOSAM**

MICHIGAN CITY, INDIANA

NOTES