

**SPECIFICATION:**

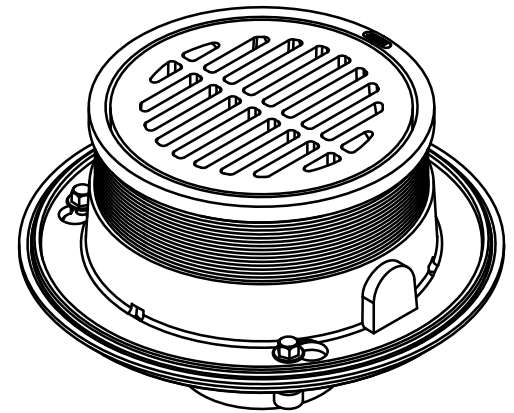
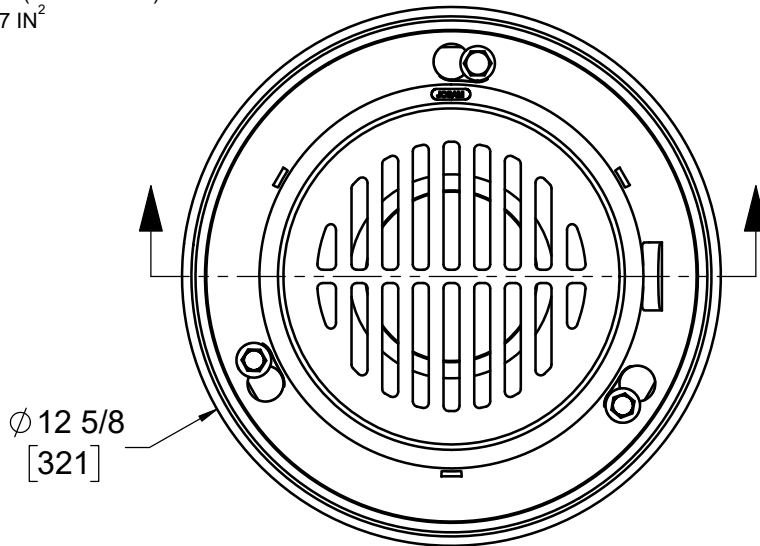
JOSAM 32100-AE-TG SERIES COATED CAST IRON LEVEZEZE® FLOOR DRAIN, TWO-PIECE BODY WITH DOUBLE DRAINAGE FLANGE, WEEPHOLES, WEJLOC®NON-PUNCTURING FLASHING COLLAR, BOTTOM OUTLET, ROUND TOP, ADJUSTABLE COLLAR WITH MACHINED THREAD AND HEAVY-DUTY, DEEP-SET TRACTOR GRATE.

**FLOOR DRAIN**  
9" ROUND TOP, TRACTOR GRATE

SERIES **32100-AE-TG**

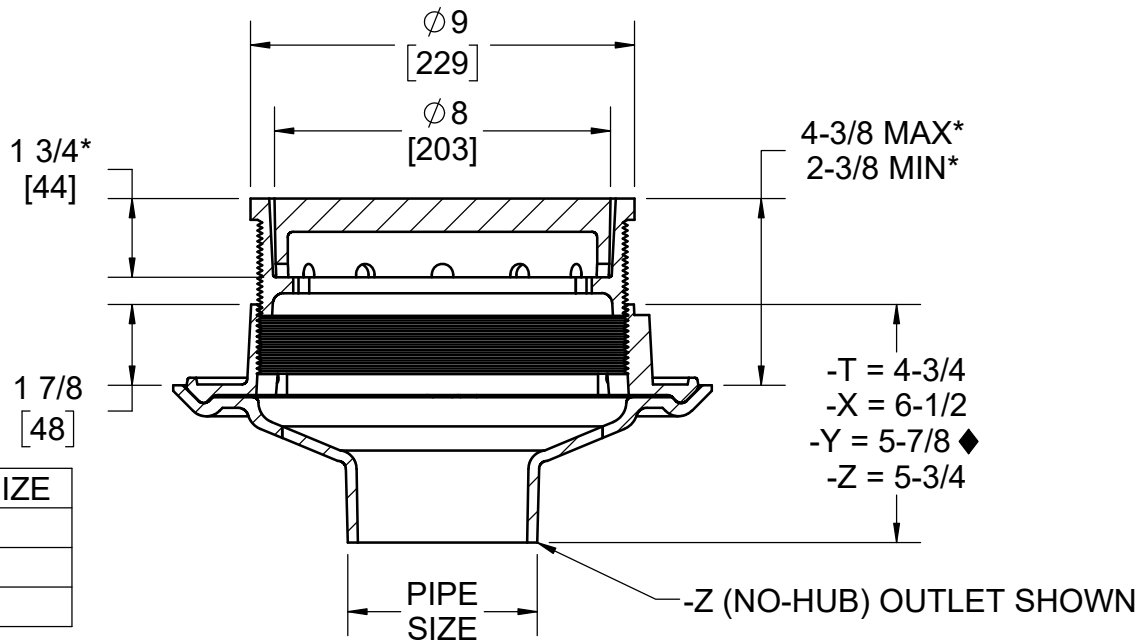
SLOT WIDTH - 3/8" (MEETS ADA)  
FREE AREA - 15.7 IN<sup>2</sup>

FORMERLY 31600 SERIES



\*ADD 1/4" WHEN FURNISHED WITH NIKALOY OR BRONZE TOP

◆ GASKET CONFORMS WITH ASTM-C564



PIPE SIZE	
	2"
	3"
	4"

X	-AE	LEVEZEZE® ADJUSTABLE EXTENSION		-49	3/4" PRIMER TAP
X	-TG	TRACTOR GRATE		-50	1/2" PRIMER TAP
	-1	SATIN FINISH NIKALOY TOP		-88	SUPPLEMENTARY STRAINER
	-2	SATIN FINISH BRONZE TOP		-92	GALVANIZED CAST IRON PARTS
	-7	DUCTILE IRON GRATE		-66	NO-HUB SIDE OUTLET
	-15	CHAINED GRATE		-T	THREADED OUTLET
	-VP	SECURED GRATE, VANDAL-PROOF SCREWS		-X	INSIDE CAULK OUTLET
	-ARE	ACID-RESISTING EPOXY		-Y	HUB OUTLET WITH GASKET
				-Z	NO-HUB OUTLET

DATE OF LAST CHANGE: 08/21/23 JTJ

DIMENSIONS ARE SUBJECT TO MANUFACTURERS TOLERANCES AND CHANGE WITHOUT NOTICE. WE CAN ASSUME NO RESPONSIBILITY FOR USE OF SUPERSEDED OR VOID DATA.

**JOSAM**

MICHIGAN CITY, INDIANA

NOTES

WARNING: Cancer and Reproductive Harm - www.P65Warnings.ca.gov