

SPECIFICATION:

JOSAM 37830 SERIES COATED CAST IRON FLOOR DRAIN, DOUBLE DRAINAGE FLANGE, SEEPAGE SLOTS, BOTTOM OUTLET, SQUARE TOP AND HEAVY-DUTY HINGED LATCHING GRATE AND REMOVABLE SEDIMENT BUCKET.

FLOOR DRAIN

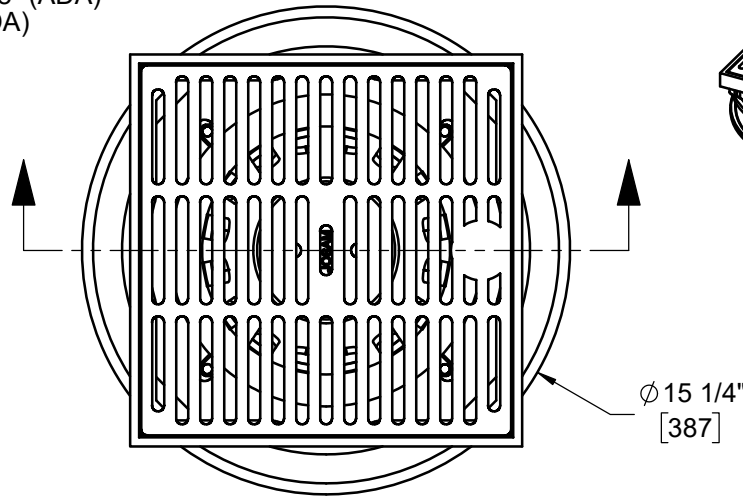
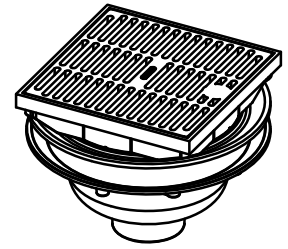
12" TOP WITH LATCHING GRATE

SERIES

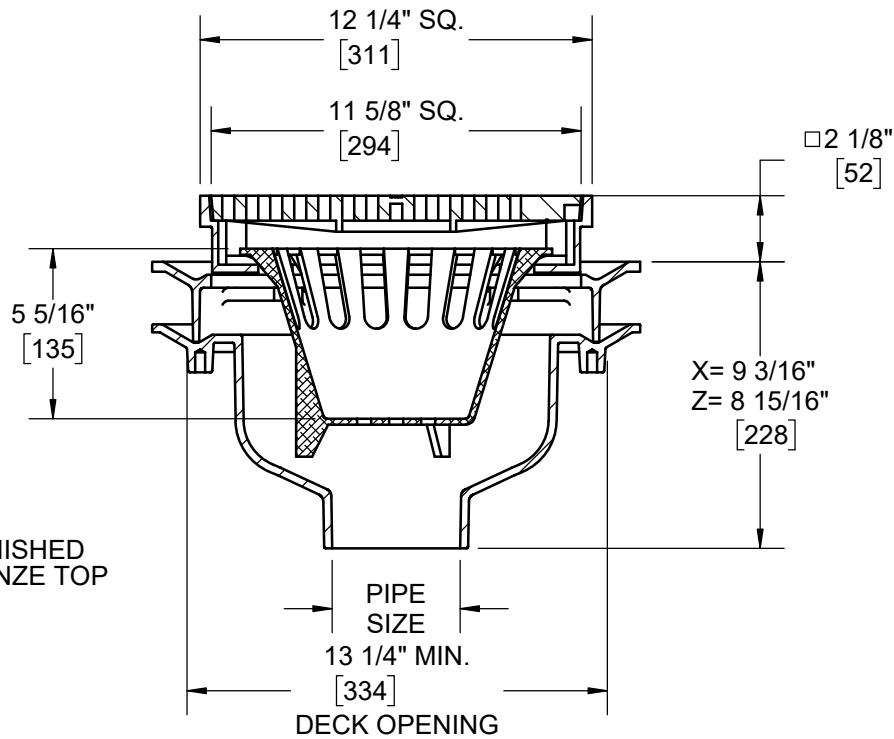
37830

FORMERLY 35620A SERIES

GRATE FREE AREA: 54 IN²
 STD. CAST IRON SLOT WIDTH: 3/8" (ADA)
 -19 AND -20 SLOT WIDTH 3/8" (ADA)



	PIPE SIZE
	2"
	3"
	4"
	5"
	6"



□ ADD 1/4" WHEN FURNISHED WITH NIKALOY OR BRONZE TOP

-7	DUCTILE IRON GRATE
-19	HEAVY-DUTY UNDERGRATE, SATIN FINISH NIKALOY TOP
-20	HEAVY-DUTY UNDERGRATE, SATIN FINISH BRONZE TOP
-21	LOOSE-SET GRATE
-22	LESS LATCHING GRATE
-39	SOLID COVER
-49	3/4" PRIMER TAP
-50	1/2" PRIMER TAP

-66	NO-HUB SIDE OUTLET
-69	LIFT HANDLE FOR SEDIMENT BUCKET
-84	STAINLESS STEEL MESH BUCKET LINER
-92	GALVANIZED CAST IRON PARTS
-TSI	TRAP SEAL INSERT (2"-4")
-X	INSIDE CAULK OUTLET
-Z	NO-HUB SPIGOT OUTLET

DATE OF LAST CHANGE: 04/01/24

DIMENSIONS ARE SUBJECT TO MANUFACTURERS TOLERANCES AND CHANGE WITHOUT NOTICE. WE CAN ASSUME NO RESPONSIBILITY FOR USE OF SUPERSEDED OR VOID DATA.

JOSAM

MICHIGAN CITY, INDIANA

NOTES