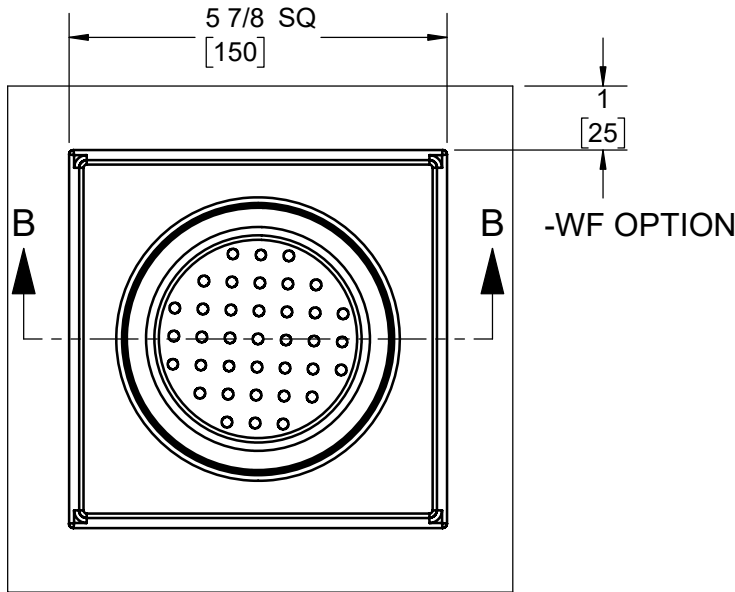


SPECIFICATION:

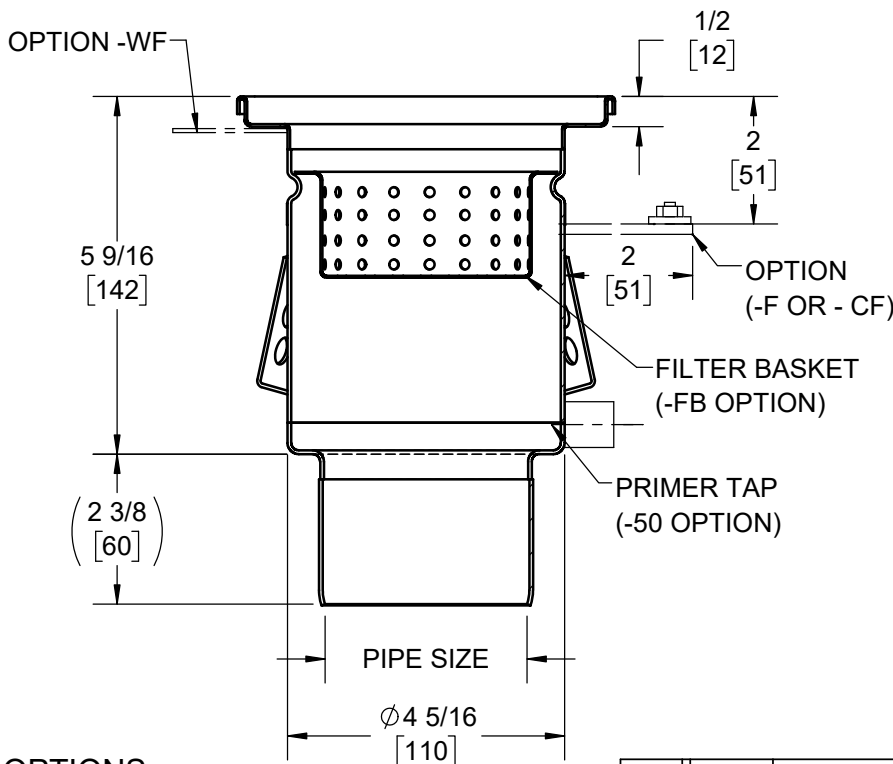
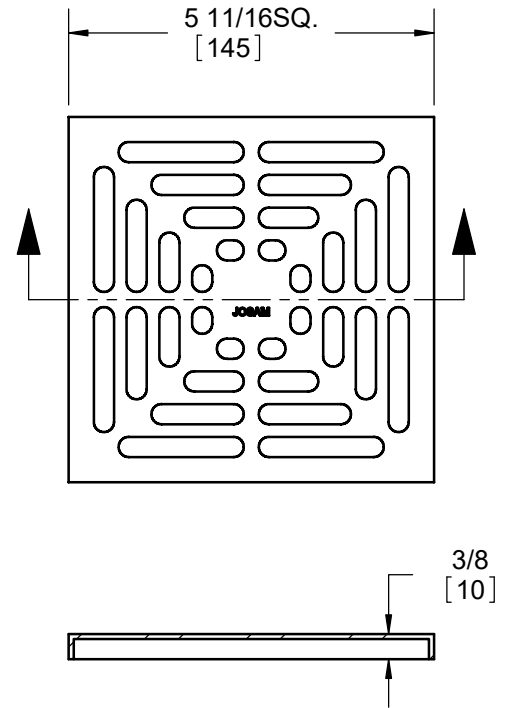
JOSAM SERIES 41330 FABRICATED STAINLESS STEEL (TYPE 304),
6" SQUARE TOP, 6" DEEP, WITH NO-HUB BOTTOM OUTLET,
ANCHOR TABS AND PERFORATED SS GRATE.

SS DRAIN
6" SQUARE TOP, 6" DEEP

SERIES **41330**



STANDARD GRATE
FREE AREA = 11.5 IN²
MEETS ADA AND HEEL-PROOF REQS.



	MODEL	PIPE SIZE
	41332	2"
	41333	3"

OPTIONS:

-FB	FILTER BASKET
-SB	SEDIMENT BUCKET
-VP	SECURED GRATE
-50	1/2" PRIMER TAP
-BW	BUTT-WELD OUTLET (SPEC. 10, 40, 80)
-WF	WIDE FLANGE
-PFO	PUSH FIT OUTLET

-T	THREADED OUTLET
-NG	NO GRATE
-HG	PERF. HALF GRATE
-3Q	PERF. 3/4 GRATE
-LG	LADDER GRATE
-316	TYPE 316L MATERIAL
-F	FLANGE
-CF	CLAMP AND FLANGE
-DB	DOMED BOTTOM STRAINER

WARNING: Cancer and Reproductive Harm - www.P65Warnings.ca.gov

DATE OF LAST CHANGE: 01/11/23 | BLK

DIMENSIONS ARE SUBJECT TO MANUFACTURERS TOLERANCES AND CHANGE WITHOUT NOTICE. WE CAN ASSUME NO RESPONSIBILITY FOR USE OF SUPERSEDED OR VOID DATA.

JOSAM
MICHIGAN CITY, INDIANA

NOTES