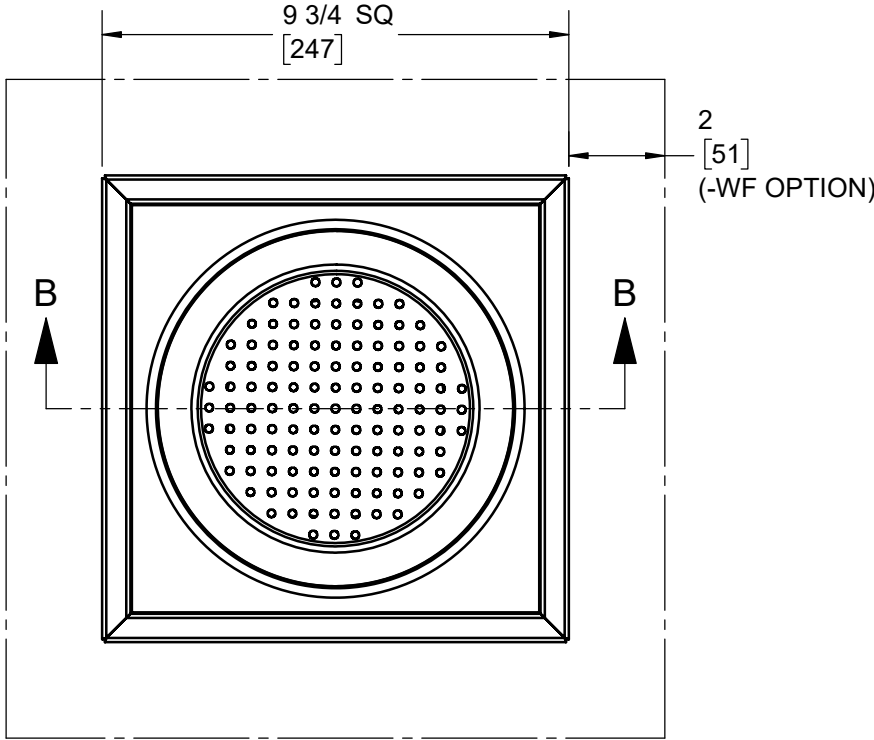


SPECIFICATION:

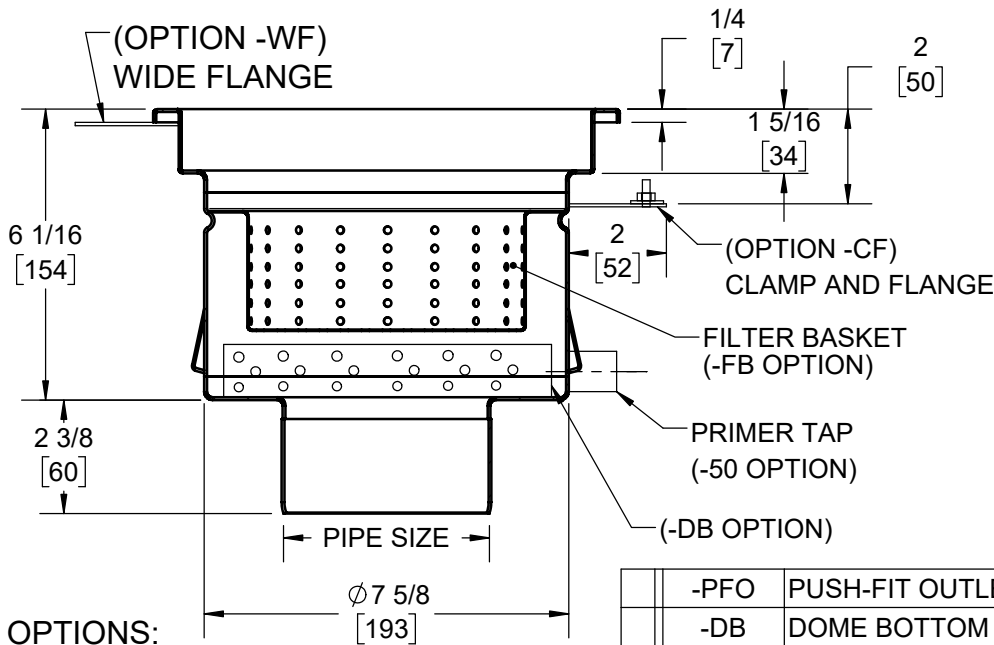
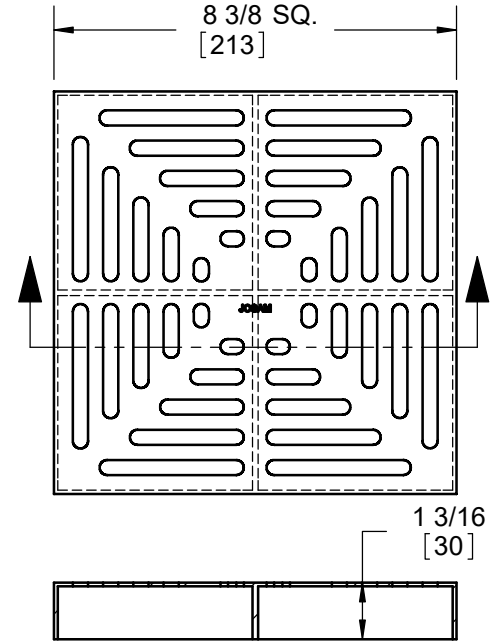
JOSAM SERIES 41530 FABRICATED STAINLESS STEEL (TYPE 304),
10" SQUARE TOP, 6" DEEP, WITH NO-HUB BOTTOM OUTLET,
ANCHOR TABS AND PERFORATED SS GRATE (STANDARD).

SS DRAIN
10" SQUARE TOP, 6" DEEP

SERIES **41530**



STANDARD GRATE
FREE AREA = 20.2 IN²
MEETS ADA AND HEEL-PROOF REQS.



MODEL	PIPE SIZE
41532	2"
41533	3"
41534	4"

OPTIONS:

-WF	2" WIDE FLANGE
-FB	FILTER BASKET
-SB	SEDIMENT BUCKET
-VP	SECURED GRATE
-50	1/2" PRIMER TAP
-BW	BUTT-WELD OUTLET (SPEC. 10, 40, 80)
-T	THREADED OUTLET

-PFO	PUSH-FIT OUTLET
-DB	DOME BOTTOM STRAINER
-CF	CLAMP AND FLANGE
-NG	NO GRATE
-HG	PERF. HALF GRATE
-3Q	PERF. 3/4 GRATE
-MG	MESH, ANTI-SLIP GRATE
-LG	LADDER GRATE
-SG	PERIMETER SLOT GRATE
-316	TYPE 316L MATERIAL

WARNING: Cancer and Reproductive Harm - www.P65Warnings.ca.gov

DATE OF LAST CHANGE: 01/18/23 | BLK

DIMENSIONS ARE SUBJECT TO MANUFACTURERS TOLERANCES AND CHANGE WITHOUT NOTICE. WE CAN ASSUME NO RESPONSIBILITY FOR USE OF SUPERSEDED OR VOID DATA.

JOSAM
MICHIGAN CITY, INDIANA

NOTES