

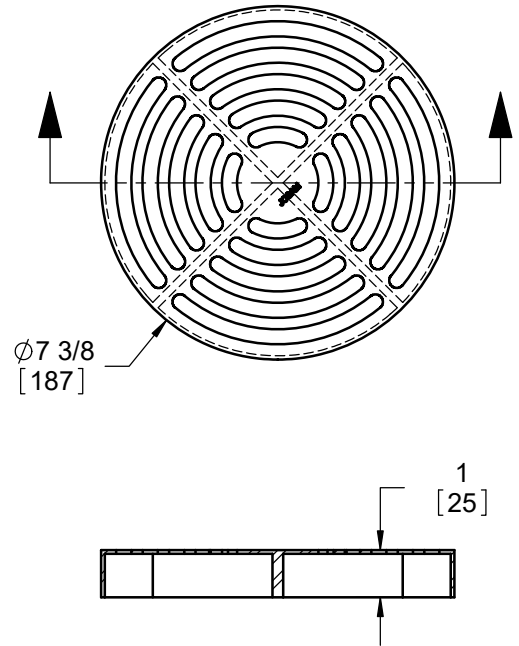
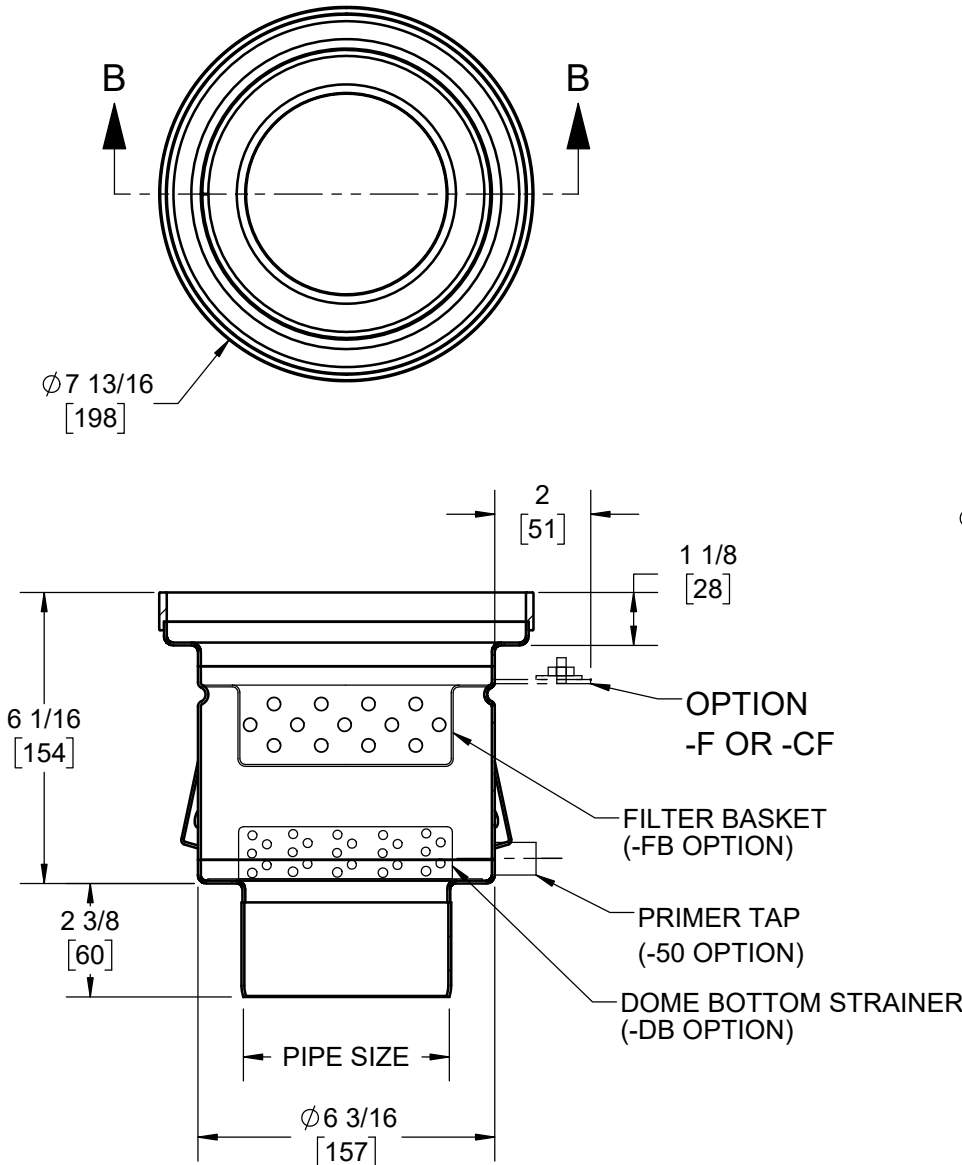
SPECIFICATION:

JOSAM SERIES 42430 FABRICATED STAINLESS STEEL (TYPE 304), 8" ROUND TOP, 6" DEEP, WITH NO-HUB BOTTOM OUTLET, ANCHOR TABS AND PERFORATED SS GRATE (STANDARD).

SS DRAIN
8" ROUND TOP, 6" DEEP

SERIES **42430**

STANDARD GRATE
FREE AREA = 18.4 IN²
MEETS ADA AND HEEL-PROOF REQMNTS.



MODEL	PIPE SIZE
42432	2"
42433	3"
42434	4"

OPTIONS:

	-FB	FILTER BASKET
	-SB	SEDIMENT BUCKET
	-VP	SECURED GRATE
	-50	1/2" PRIMER TAP
*	-BW	BUTT-WELD OUTLET (SPEC. 10, 40, 80)
	-T	THREADED OUTLET
	-PFO	PUSH-FIT OUTLET SIZE
*	-316	TYPE 316L MATERIAL
	-F	FLANGE ONLY
	-CF	CLAMP AND FLANGE

	-DB	DOME BOTTOM STRAINER
*	-WP	WEEPHOLES 1/8" (3X)
	-NG	NO GRATE
	-HG	PERF. HALF GRATE
	-3Q	PERF. 3/4 GRATE
	-MG	MESH, ANTI-SLIP GRATE
	-LG	LADDER GRATE
	-SG	PERIMETER SLOT GRATE
	-SK	SEALED COVER W/ EYEBOLT KEY
	-SV	SEALED COVER W/ VACUUM HNDL

* PRODUCT IS NON-CANCELABLE AND NON-RETURNABLE NAME: _____ SIGNATURE: _____ DATE: _____ *

WARNING: Cancer and Reproductive Harm - www.P65Warnings.ca.gov

DATE OF LAST CHANGE: 10/11/22 BLK

DIMENSIONS ARE SUBJECT TO MANUFACTURERS TOLERANCES AND CHANGE WITHOUT NOTICE. WE CAN ASSUME NO RESPONSIBILITY FOR USE OF SUPERSEDED OR VOID DATA.

JOSAM
MICHIGAN CITY, INDIANA

NOTES