

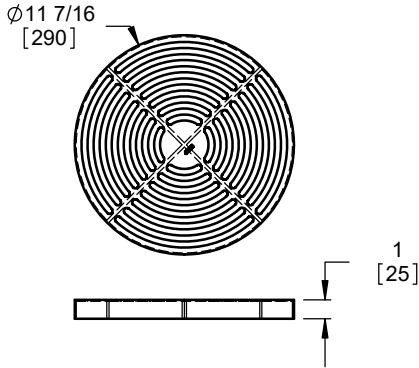
**SPECIFICATION:**

GRATE ASSORTMENT FOR JOSAM 42600 TYPE 304 12" ROUND TOP DRAINS.

**SS DRAINS  
12" ROUND TOPS**

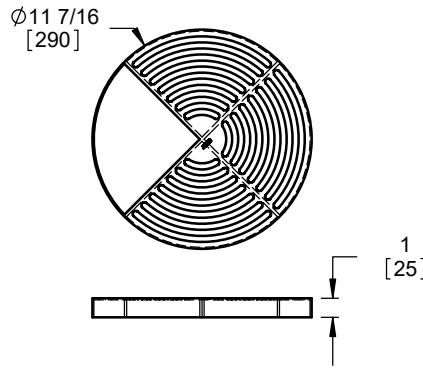
SERIES **42600**

**STANDARD PERFORATED GRATE**



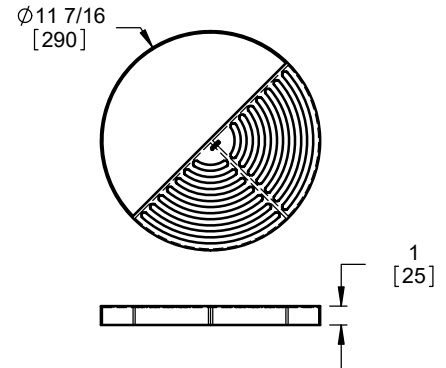
SLOT WIDTH - .31" [8]  
FREE AREA - 42.5 IN<sup>2</sup>  
LOAD - MEDIUM DUTY  
MEETS ADA AND HEEL-PROOF REQS.

**- 3Q 3/4 PERFORATED GRATE**



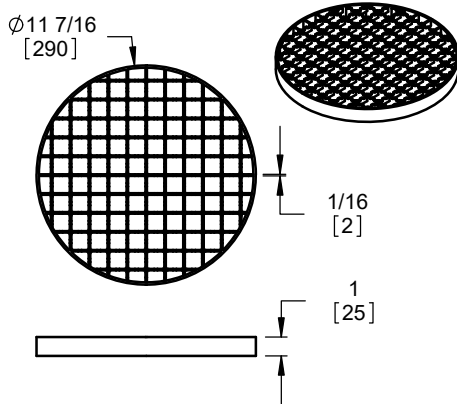
SLOT WIDTH - .31" [8]  
LOAD - MEDIUM DUTY

**- HG PERFORATED 1/2 GRATE**



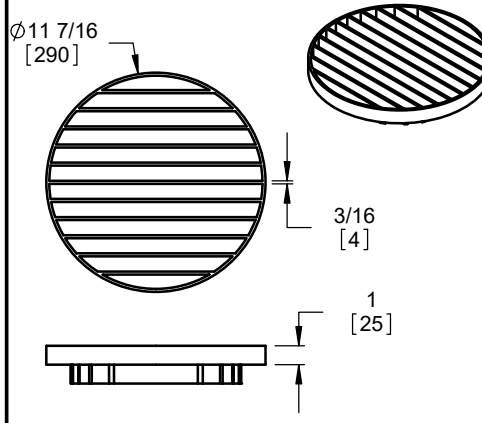
SLOT WIDTH - .31" [8]  
LOAD - MEDIUM DUTY

**- MG ANTI-SLIP MESH GRATE**



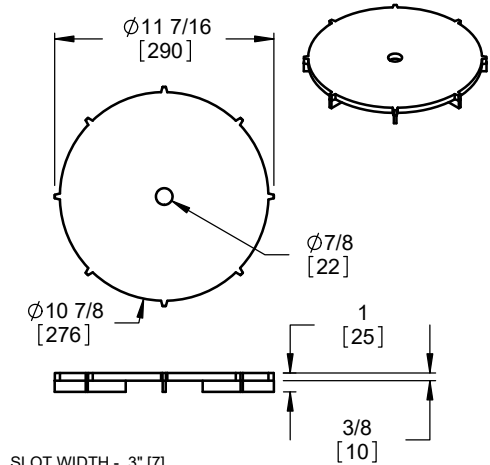
OPENING - .9" X .9" [23 X 23]  
LOAD - MEDIUM DUTY

**- LG LADDER GRATE**



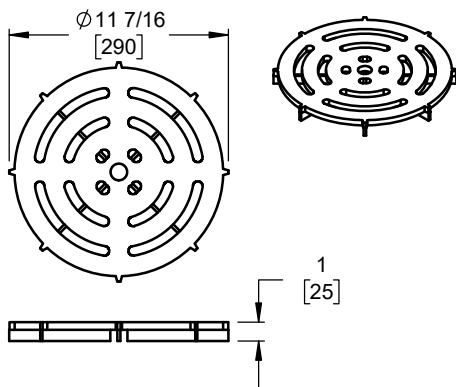
SLOT WIDTH - .8" [20]  
LOAD - HEAVY DUTY

**- SG PERIMETER SLOT GRATE**



SLOT WIDTH - .3" [7]  
LOAD - EXTRA-HEAVY DUTY

**-SPG SLOTTED PLATE GRATE**



SLOT WIDTH - .5" [12]  
FREE AREA - 28 IN<sup>2</sup>  
LOAD - HEAVY DUTY  
MEETS ADA REQS.

WARNING: Cancer and Reproductive Harm - www.P65Warnings.ca.gov

DATE OF LAST CHANGE: 11/27/23 BT

DIMENSIONS ARE SUBJECT TO MANUFACTURERS TOLERANCES AND CHANGE WITHOUT NOTICE. WE CAN ASSUME NO RESPONSIBILITY FOR USE OF SUPERSEDED OR VOID DATA.

**JOSAM**

MICHIGAN CITY, INDIANA

NOTES