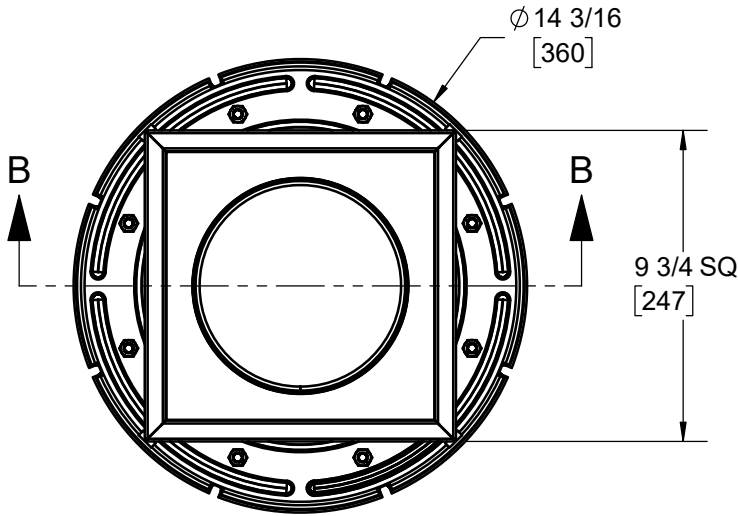


SPECIFICATION:

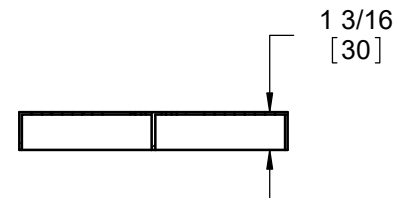
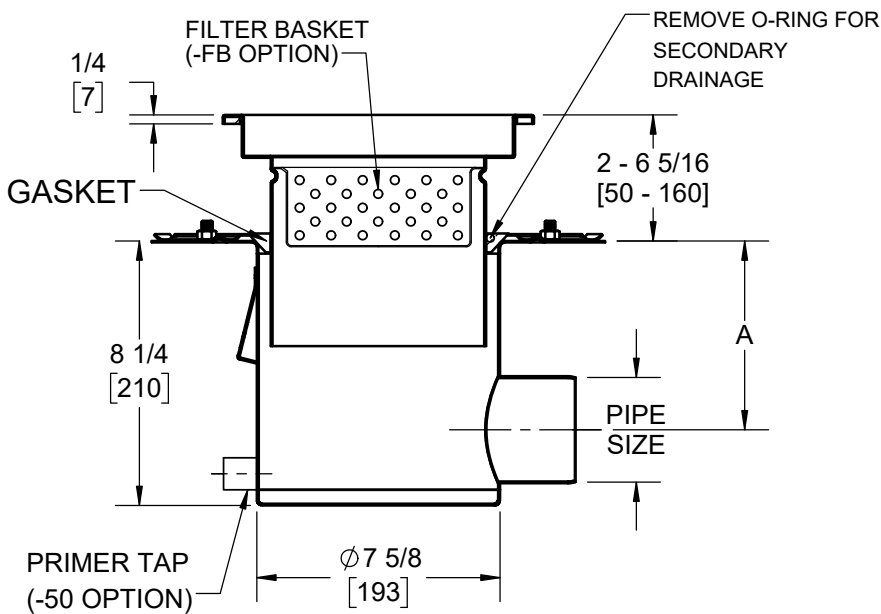
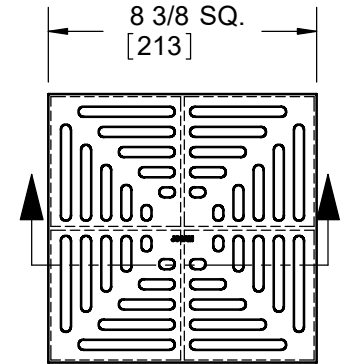
JOSAM SERIES 43570-SO FABRICATED STAINLESS STEEL (TYPE 304), 10" SQUARE TOP, ADJUSTABLE DEPTH, WITH NO-HUB SIDE OUTLET, LEVELING FEET, MEMBRANE CLAMP AND PERFORATED SS GRATE (STANDARD).

SS DRAIN
10" SQUARE TOP, ADJUSTABLE
SIDE OUTLET

SERIES **43570-SO**



STANDARD GRATE
FREE AREA = 20.2 IN²
MEETS ADA AND HEEL-PROOF REQS.



MODEL	PIPE SIZE	A
43572-SO	2"	6.6 [158]
43573-SO	3"	6.1 [154]
43574-SO	4"	5.6 [141]

OPTIONS:

-FB	FILTER BASKET
-SB	SEDIMENT BUCKET
-VP	SECURED GRATE
X -SO	SIDE OUTLET
-50	1/2" PRIMER TAP
-T	THREADED OUTLET
-BW	BUTT-WELD OUTLET (SPEC. 10, 40, 80)

-PFO	PUSH-FIT OUTLET
-NG	NO GRATE
-HG	PERF. HALF GRATE
-3Q	PERF. 3/4 GRATE
-MG	MESH, ANTI-SLIP GRATE
-LG	LADDER GRATE
-SG	PERIMETER SLOT GRATE
-316	TYPE 316L MATERIAL

WARNING: Cancer and Reproductive Harm - www.P65Warnings.ca.gov

DATE OF LAST CHANGE: 08/17/21

DIMENSIONS ARE SUBJECT TO MANUFACTURERS TOLERANCES AND CHANGE WITHOUT NOTICE. WE CAN ASSUME NO RESPONSIBILITY FOR USE OF SUPERSEDED OR VOID DATA.

JOSAM

MICHIGAN CITY, INDIANA

NOTES