

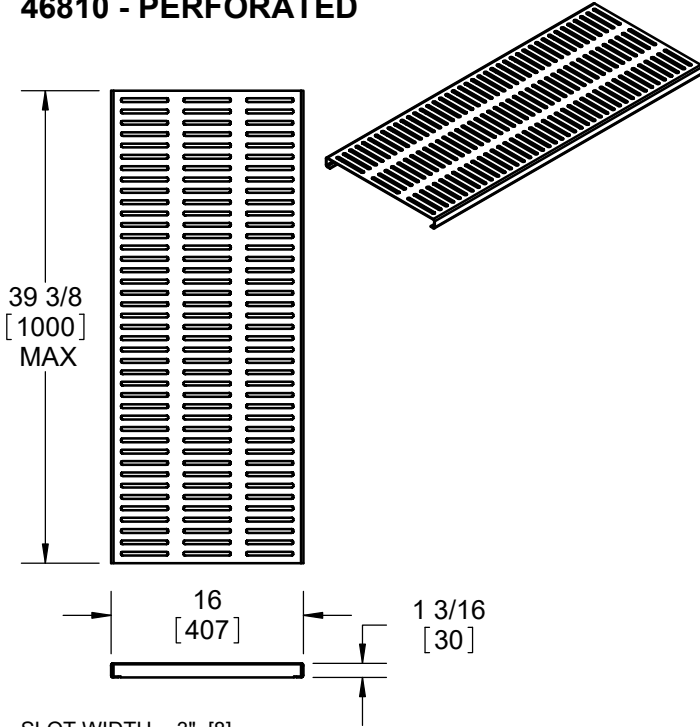
SPECIFICATION:

GRATE ASSORTMENT FOR JOSAM SERIES 46800 16" WIDE CHANNELS IN TYPE 304 MATERIAL (316L AVAILABLE).

**SS TRENCH CHANNEL
GRATES 16" WIDE**

SERIES **46800**

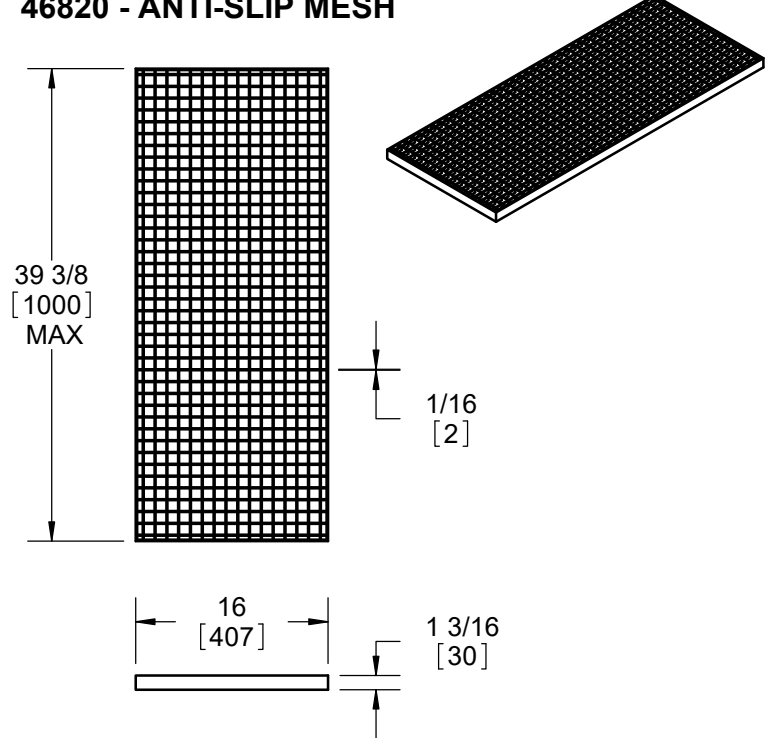
46810 - PERFORATED



SLOT WIDTH - .3" [8]
FREE AREA - 150 IN²

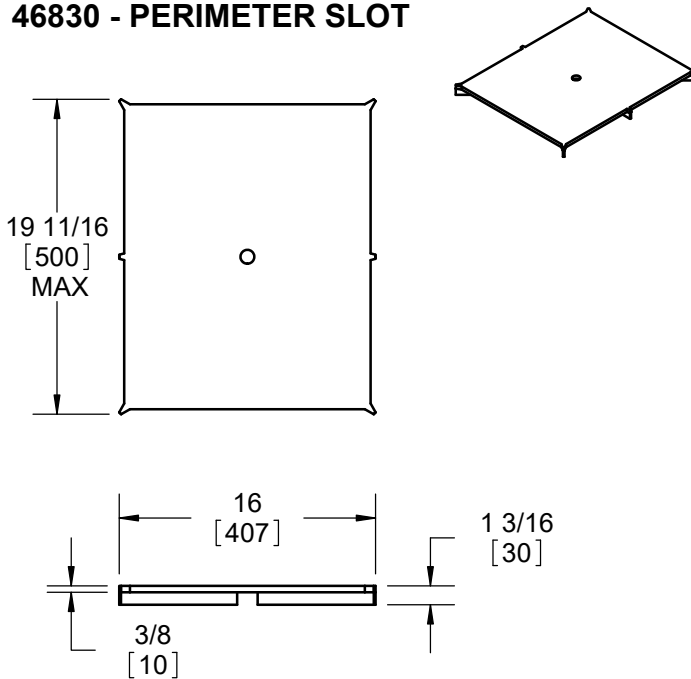
LOAD - LIGHT-DUTY
MEETS ADA AND HEEL-PROOF REQS.

46820 - ANTI-SLIP MESH



OPENINGS - .9" X .9" [23 X 23]
LOAD - MEDIUM-DUTY

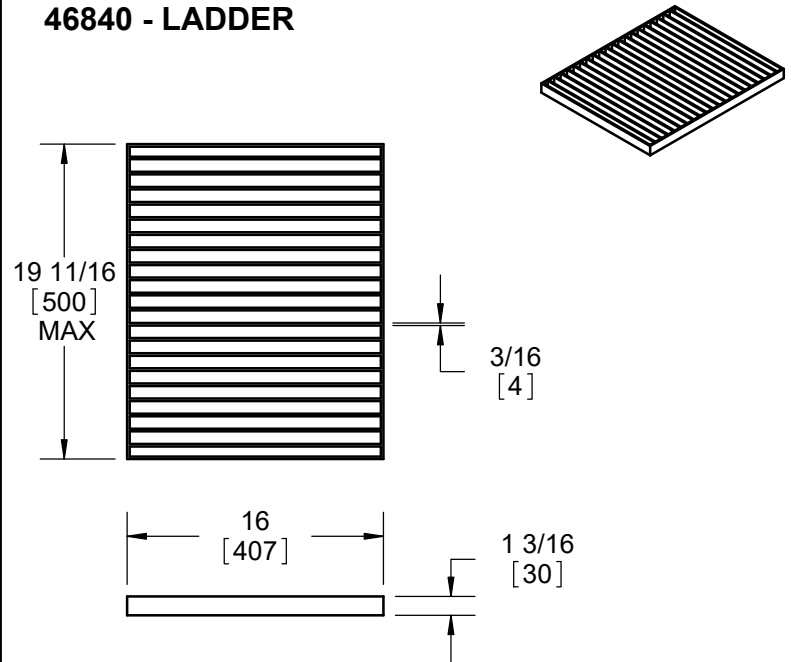
46830 - PERIMETER SLOT



SLOT WIDTH - .3" [8]
LOAD - EXTRA-HEAVY-DUTY

* RECOMMEND SOLID SS CHANNEL
EDGE BACKFILL FOR X-HEAVY DUTY
APPLICATIONS

46840 - LADDER



SLOT WIDTH - .8" [20]
LOAD - HEAVY-DUTY

WARNING: Cancer and Reproductive Harm - www.P65Warnings.ca.gov

DATE OF LAST CHANGE: 7/19/18

DIMENSIONS ARE SUBJECT TO MANUFACTURERS
TOLERANCES AND CHANGE WITHOUT NOTICE.
WE CAN ASSUME NO RESPONSIBILITY FOR
USE OF SUPERSEDED OR VOID DATA.

JOSAM
MICHIGAN CITY, INDIANA

NOTES