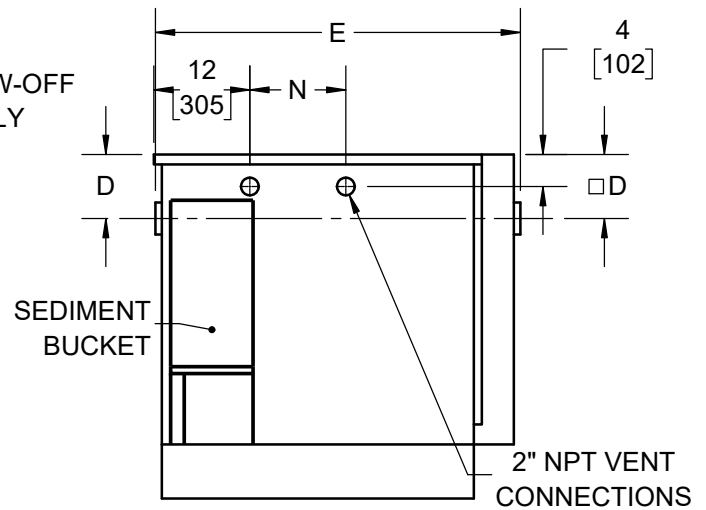
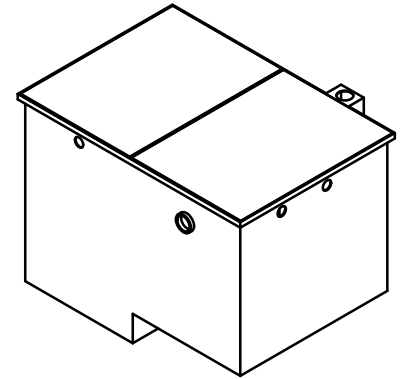
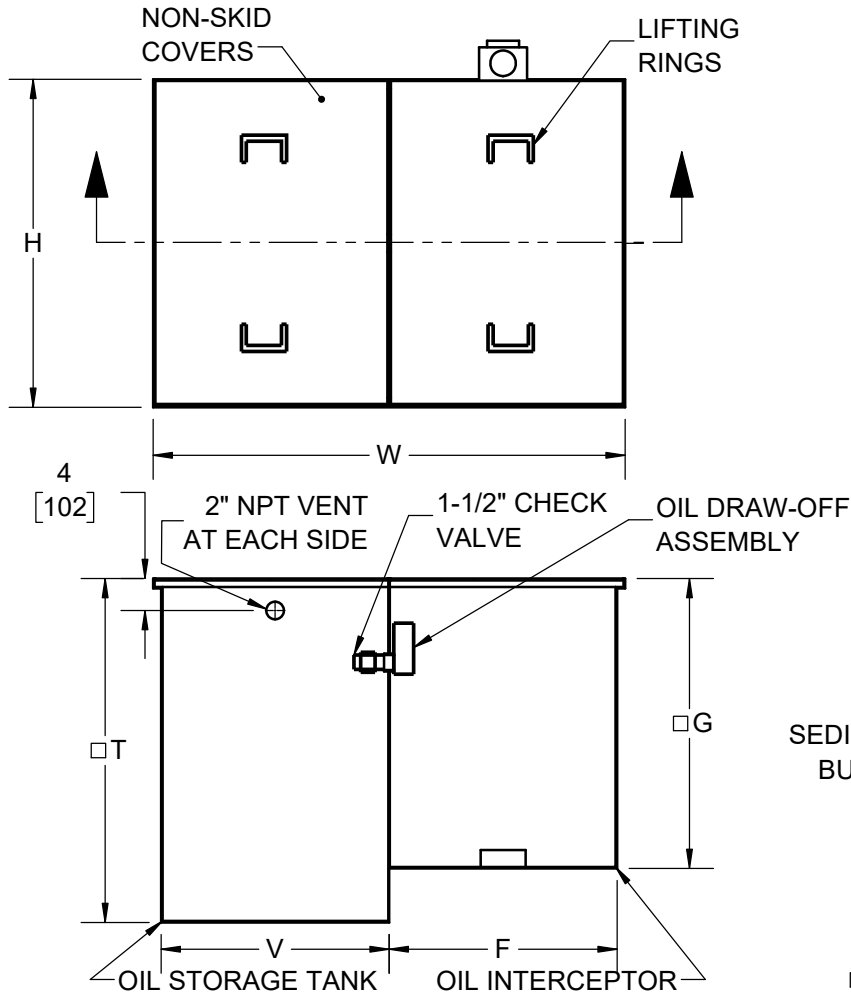


SPECIFICATION:

JOSAM 60610-EST-EXT STEEL OIL SEPARATOR, FLUSH-WITH-FLOOR TYPE WITH OIL STORAGE TANK, THREADED CONNECTIONS, FLAT BOTTOM, VISIBLE DOUBLE WALL TRAP, SEDIMENT BUCKET, GASKETED COVER, ACID RESISTANT COATING (INSIDE AND OUT), CHECK VALVE, AND FLOW CONTROL FITTING**.

**OIL SEPARATOR
WITH EXTERNAL
STORAGE TANK**

SERIES 60610-EST-EXT



□ DIMS. BASED ON STANDARD 6" EXTENSION

	-19	RECLAIM TANK ALARM
X	-EST-EXT	EXTENSION (6" STANDARD OR SPECIFY) (SEE 60610-EST FOR MIN "D")
	-60	ANCHOR FLANGE
	-61	ANCHOR FLANGE AND CLAMP
	-HD	HEAVY DUTY COVER (MUST SPECIFY WITH SEPARATOR ORDER)

SPECIFY:
D = _____

*FURNISHED WITH 2-PIECE COVER

TYPE	FLOW RATE	TANK SIZE (GAL.)	PIPE SIZE	□D	E	F	□G	H	N	□T	V	W	WEIGHT (LBS.)	** FLOW CONTROL
60611-EST	75	100	3	14	46	31	35	41	12	43	24	59	1200	60714
60612-EST	100	250	4	14	54	35	37	47	14	54	35	70	1500	60714
60613-EST	150	250	4	16	60	39	43	53	16	51	35	74	2000	60714
*60614-EST	200	250	5	21	67	42	55	54	18	54	35	77	2400	60715
*60615-EST	250	500	5	21	72	46	57	63	20	66	45	91	3000	60715
*60616-EST	350	500	6	21	80	52	61	71	23	62	45	97	3800	60716
*60617-EST	500	500	6	31	91	59	76	83	27	72	45	104	5200	60716

PRODUCT IS NON-CANCELABLE AND NON-RETURNABLE NAME: _____ SIGNATURE: _____ DATE: _____

DATE OF LAST CHANGE: 05/11/21

DIMENSIONS ARE SUBJECT TO MANUFACTURERS TOLERANCES AND CHANGE WITHOUT NOTICE. WE CAN ASSUME NO RESPONSIBILITY FOR USE OF SUPERSEDED OR VOID DATA.



NOTES

WARNING: Cancer and Reproductive Harm - www.P65Warnings.ca.gov