

SPECIFICATION:

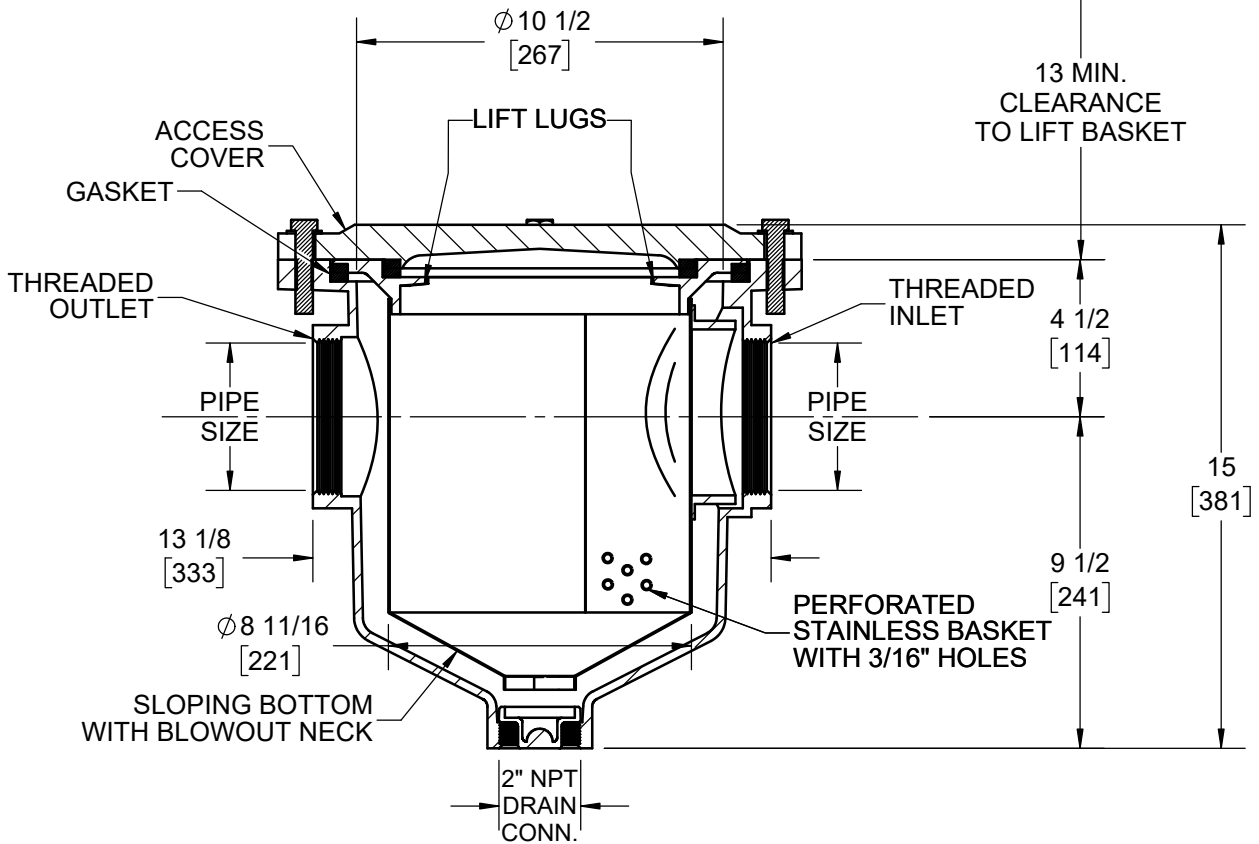
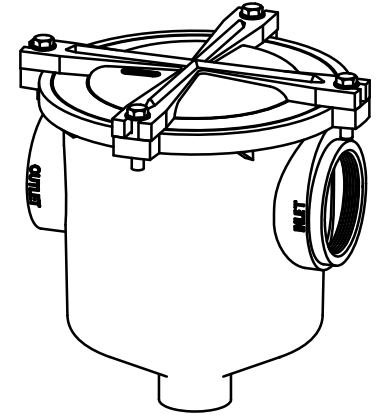
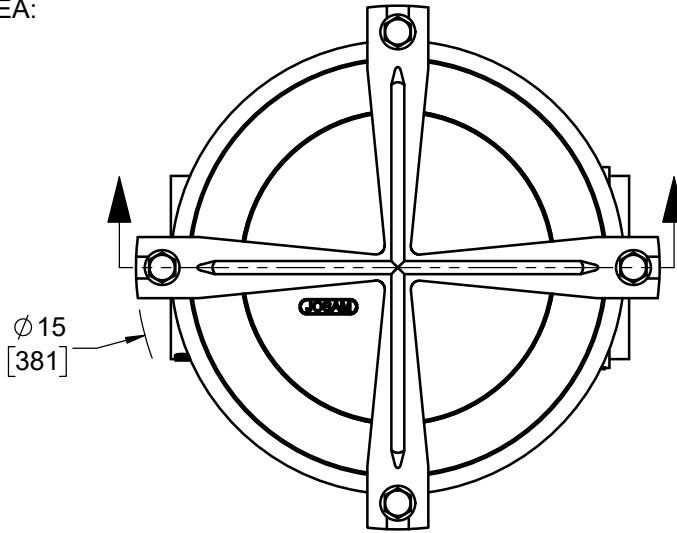
JOSAM 61070 SERIES CAST IRON SOLIDS INTERCEPTOR WITH ACID RESISTING COATING, TOP ACCESS, IN-LINE TYPE, THREADED CONNECTIONS, 2" THREADED DRAIN OR BLOW-OFF CONNECTION, REMOVABLE PERFORATED STAINLESS BASKET WITH CONICAL SOLID BOTTOM, GASKETED CAST IRON SUPPORT RIM AND GASKETED COVER SEALED ON BASKET SUPPORT RIM SECURED WITH HEX HEAD BOLTS.

**SOLIDS INTERCEPTOR
TOP ACCESS IN-LINE TRAP**

SERIES

61070

BASKET FREE AREA:
85.0 SQ. INCHES



13 MIN.
CLEARANCE
TO LIFT BASKET

4 1/2
[114]

15
[381]

9 1/2
[241]

2" NPT
DRAIN
CONN.

-4	GALVANIZED CAST IRON PARTS
-86	FLAT BOTTOM BASKET

PIPE SIZE	GPM
2"	20
3"	55
4"	100

WARNING: Cancer and Reproductive Harm - www.P65Warnings.ca.gov

DATE OF LAST CHANGE: 01/31/24 JTJ

DIMENSIONS ARE SUBJECT TO MANUFACTURERS TOLERANCES AND CHANGE WITHOUT NOTICE. WE CAN ASSUME NO RESPONSIBILITY FOR USE OF SUPERSEDED OR VOID DATA.

JOSAM

MICHIGAN CITY, INDIANA

NOTES