

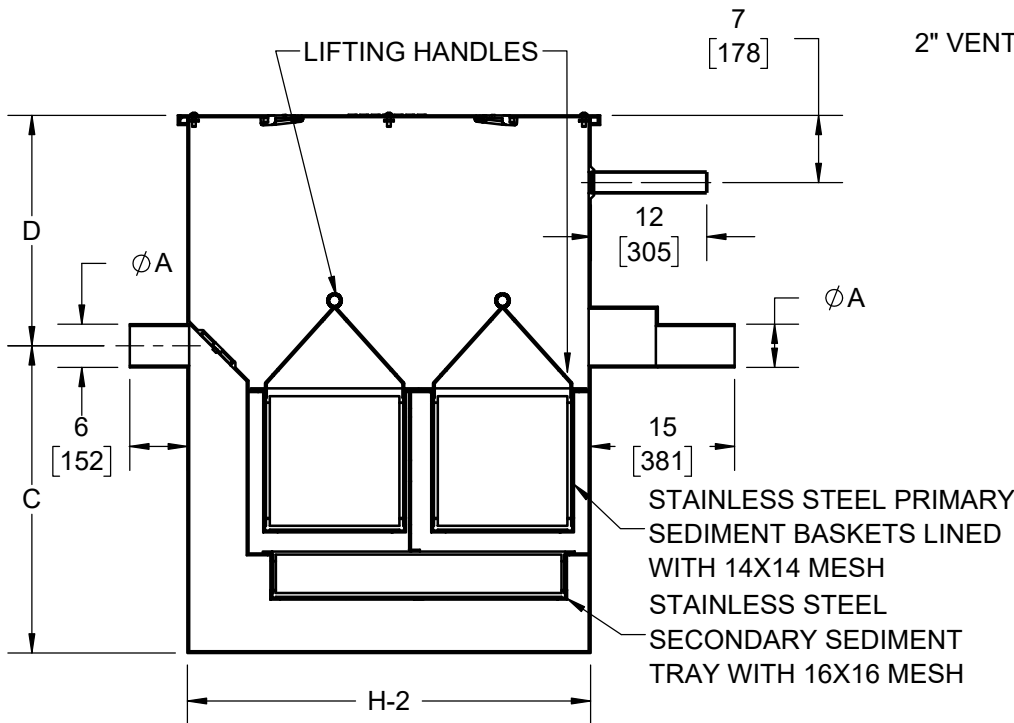
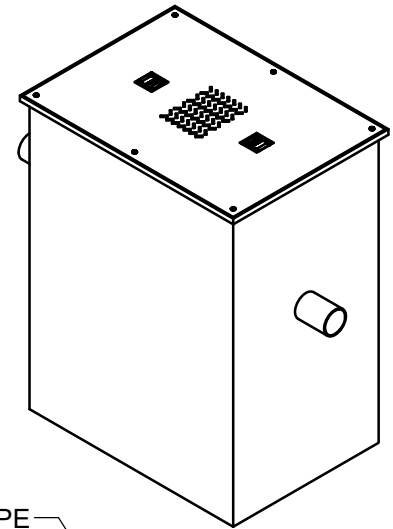
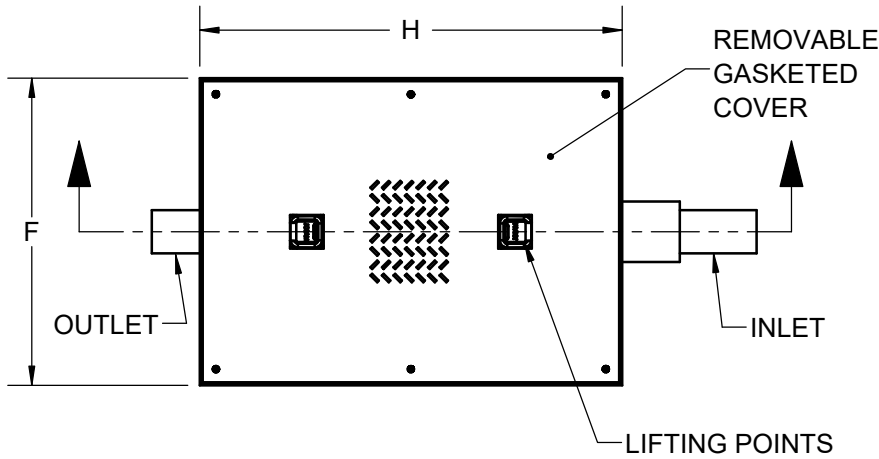
SPECIFICATION:

JOSAM SERIES 61200 FABRICATED STEEL RICE INTERCEPTOR, EPOXY COATED INSIDE AND OUT, STAINLESS STEEL PRIMARY AND SECONDARY BASKETS, SPIGOT INLET AND OUTLET, AND GASKETED REMOVABLE COVER WITH LIFT RINGS.

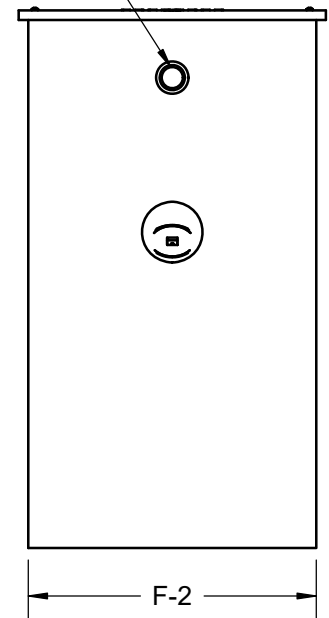
RICE INTERCEPTOR

SERIES

61200



2" VENT PIPE



OPTIONS	DESCRIPTION
-SS	304 STAINLESS STEEL
-T	THREADED INLET AND OUTLET

SERIES	FLOW RATE (GPM)	FLOW RATE (L/S)	A	C	D	F	H
61202	20	1.3	3	24	16	22	28
61203	30	1.9	4	24	16	22	35
61204	40	2.5	4	30	22	26	38
61205	50	3.2	4	32	24	32	44
61206	75	4.7	6	36	28	38	50

PRODUCT IS NON-CANCELABLE AND NON-RETURNABLE

NAME: _____

SIGNATURE: _____

DATE: _____

WARNING: Cancer and Reproductive Harm - www.P65Warnings.ca.gov

DATE OF LAST CHANGE: 10/06/23 JTJ

DIMENSIONS ARE SUBJECT TO MANUFACTURERS TOLERANCES AND CHANGE WITHOUT NOTICE. WE CAN ASSUME NO RESPONSIBILITY FOR USE OF SUPERSEDED OR VOID DATA.



MICHIGAN CITY, INDIANA

NOTES