

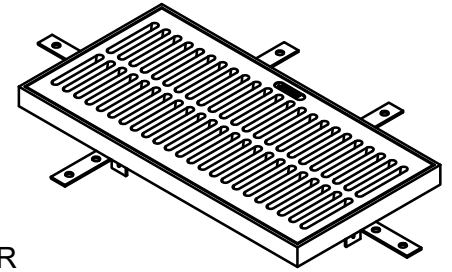
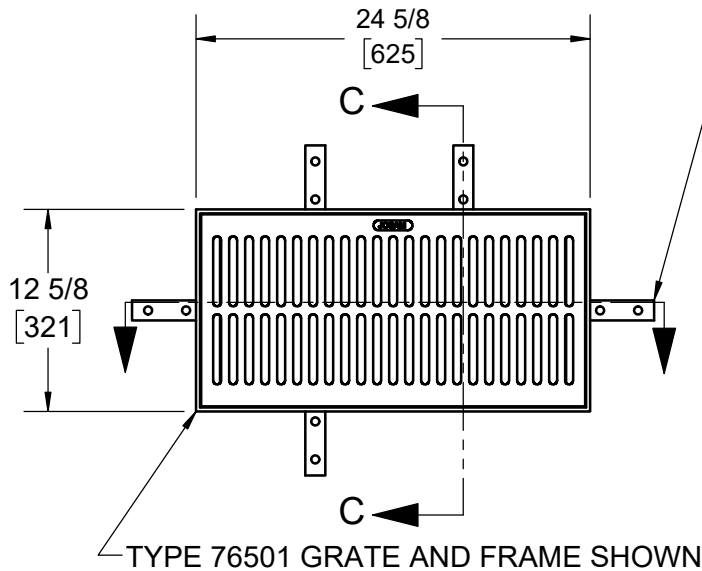
SPECIFICATION:

JOSAM 76500 SERIES COATED CAST IRON 12" x 24" RECTANGULAR MEDIUM-DUTY SECTIONAL TRENCH GRATE.

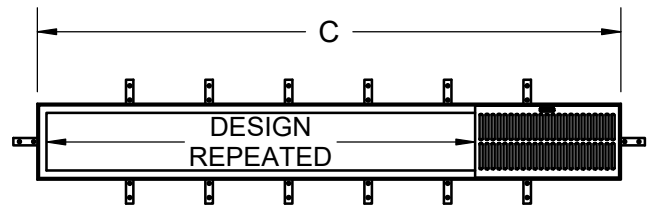
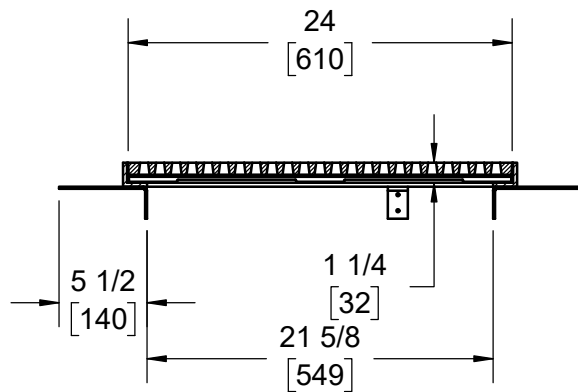
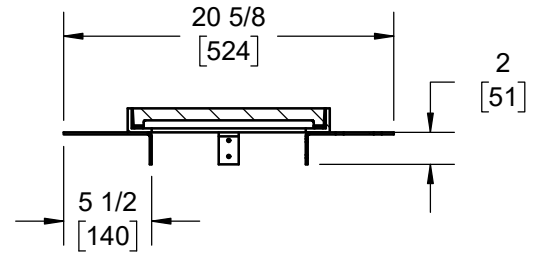
**TRENCH DRAIN
MEDIUM-DUTY RECTANGULAR**

SERIES **76500**

SLOT WIDTH 4-3/8" x 1/2" (-1 & -8-2 SLOT WIDTH 4-3/8" x 1/2")



FLAT BAR ANCHOR AND NAILING CLIP



765__

(INDICATE ## OF GRATES)

'C' = (# OF GRATES x 24") + 5/8"
 INSIDE CHANNEL WIDTH = 'C' - 3"
 GRATE FREE AREA (EACH) 90 SQ. IN.
 GRATE ONLY DIMENSIONS = 24" x 12" x 1-1/4"
 FRAME MADE OF 1-1/2" x 1-1/2" x 1/4" ANGLE

-1	SATIN FINISH NIKALOY GRATE, STAINLESS STEEL FRAME
-7	DUCTILE IRON GRATE
-8-2	ALL BRONZE WITH SATIN FINISH TOP
-VP	SECURED GRATE, VANDAL-PROOF SCREWS
-40	GALVANIZED

PRODUCT IS NON-CANCELABLE AND NON-RETURNABLE

NAME: _____

SIGNATURE: _____

DATE: _____

WARNING: Cancer and Reproductive Harm - www.P65Warnings.ca.gov

DATE OF LAST CHANGE: 04/29/21

DIMENSIONS ARE SUBJECT TO MANUFACTURERS TOLERANCES AND CHANGE WITHOUT NOTICE. WE CAN ASSUME NO RESPONSIBILITY FOR USE OF SUPERSEDED OR VOID DATA.



NOTES