

SPECIFICATION:

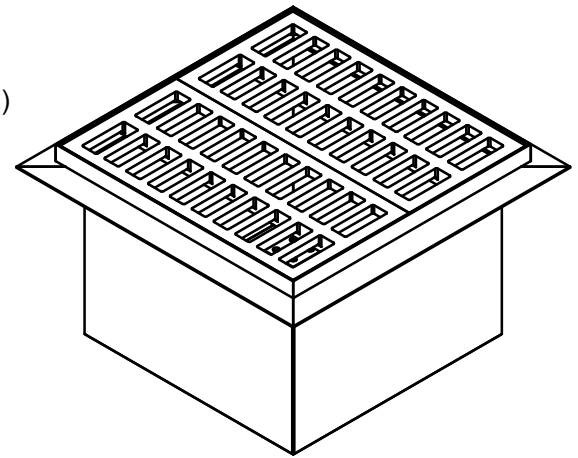
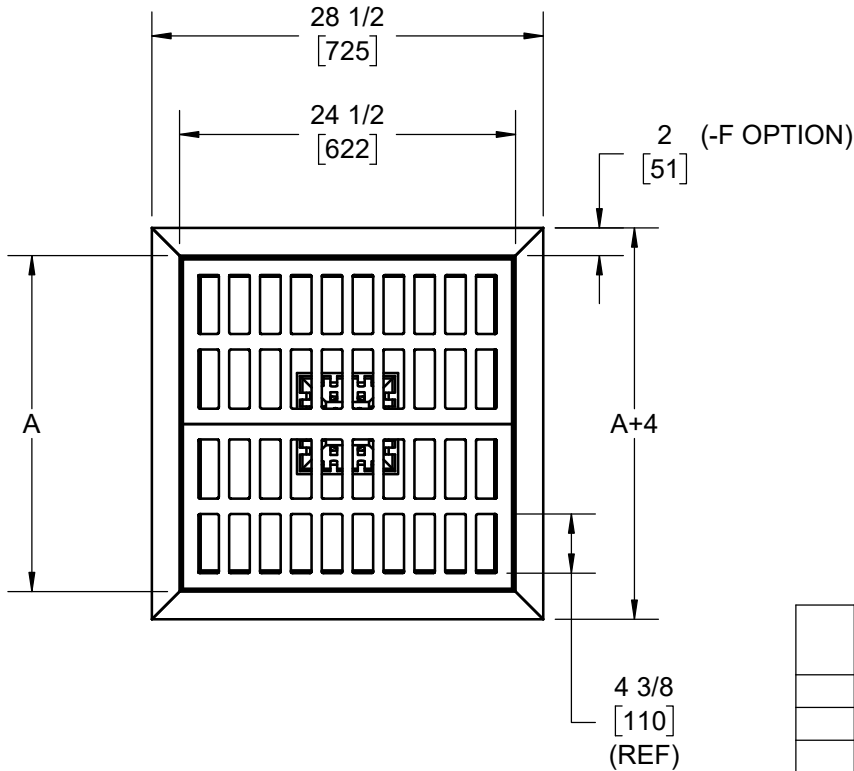
JOSAM 76700-Q190 SERIES FLOOR DRAIN FABRICATED STEEL BODY WITH ACID RESISTANT EPOXY COATING, HEAVY-DUTY CAST IRON LOOSE-SET GRATE(S) AND REMOVABLE INTERNAL DOME STRAINER AND NO HUB CONNECTOR.

FLOOR DRAIN

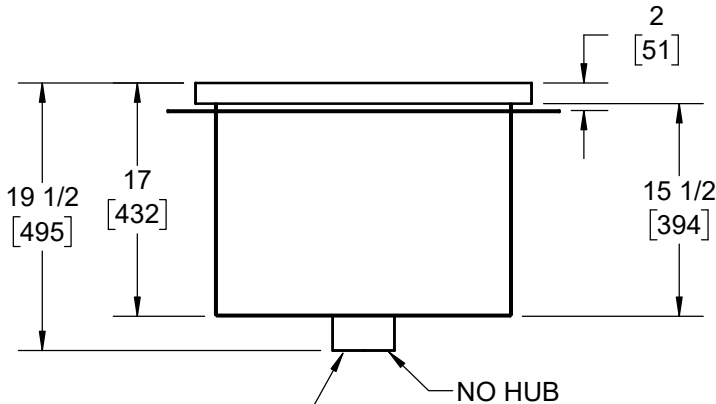
76700 SERIES

SERIES /
PART NO

76700-Q190



	TYPE	NUMBER OF GRATES	A
	76701-Q190	1	12 - 1/2
	76702-Q190	2	24 - 9/16
	76703-Q190	3	36 - 5/8
	76704-Q190	4	48 - 11/16

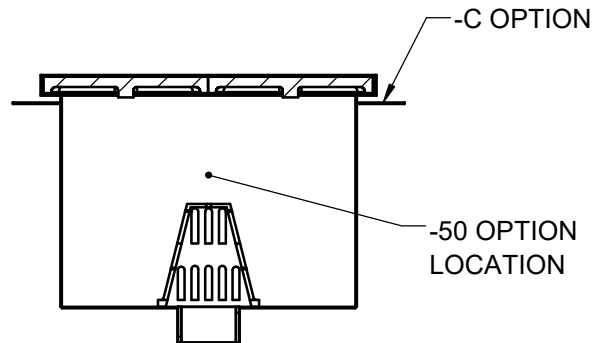


SPECIFY PIPE SIZE

	4"
	6"

	-1	NIKALOY TOP
	-4	3/4 GRATE
	-31	STAINLESS BUCKET
	-SB	SEDIMENT BUCKET

	-FB	FILTER BASKET
	-50	PRIMER TAP
	-F	FLANGE
	-C	CLAMP



PRODUCT IS NON-CANCELABLE AND NON-RETURNABLE

NAME: _____ SIGNATURE: _____ DATE: _____

DATE OF LAST CHANGE: 02/16/22

DIMENSIONS ARE SUBJECT TO MANUFACTURERS TOLERANCES AND CHANGE WITHOUT NOTICE. WE CAN ASSUME NO RESPONSIBILITY FOR USE OF SUPERSEDED OR VOID DATA.

JOSAM

MICHIGAN CITY, INDIANA

NOTES