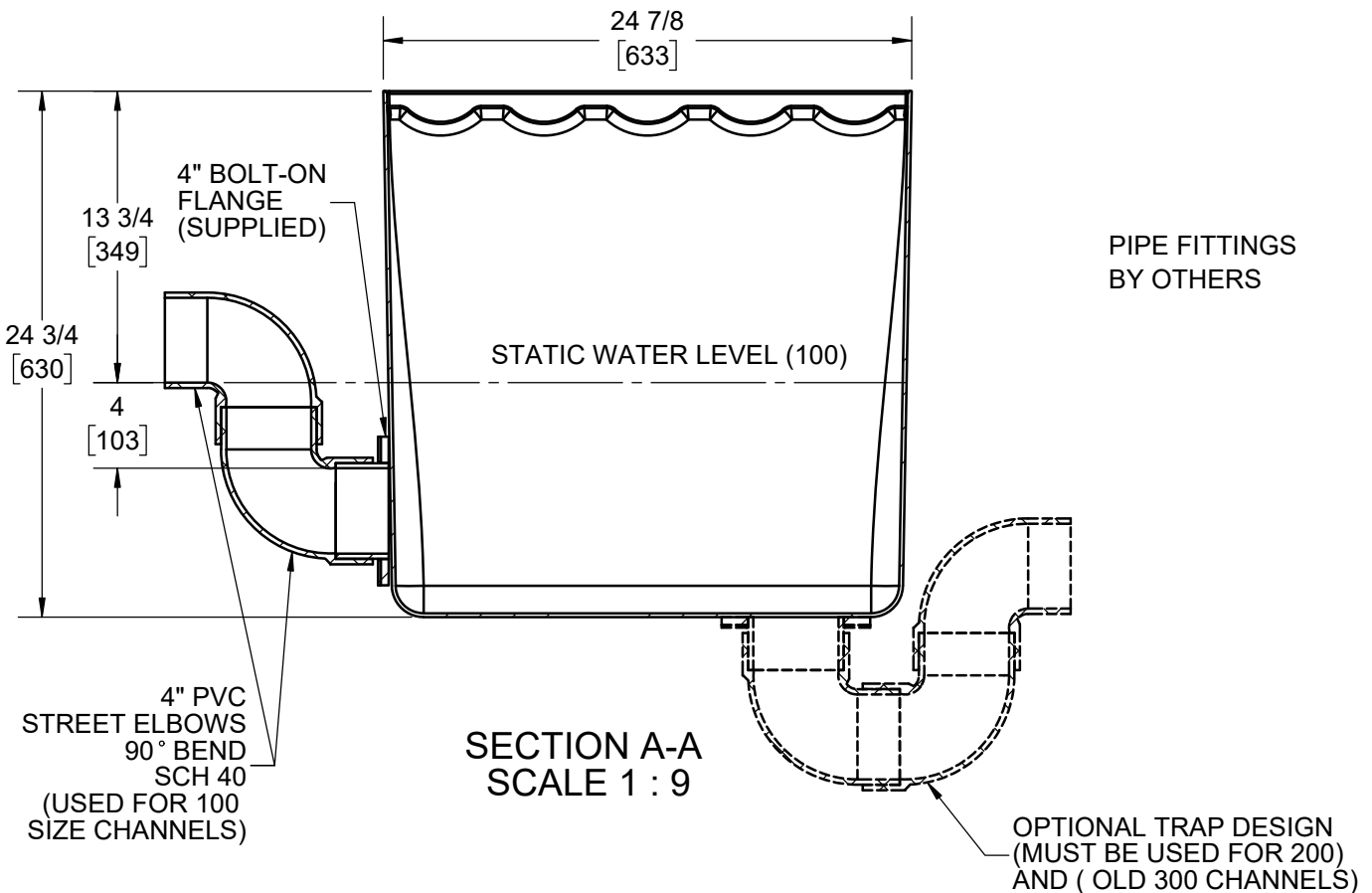
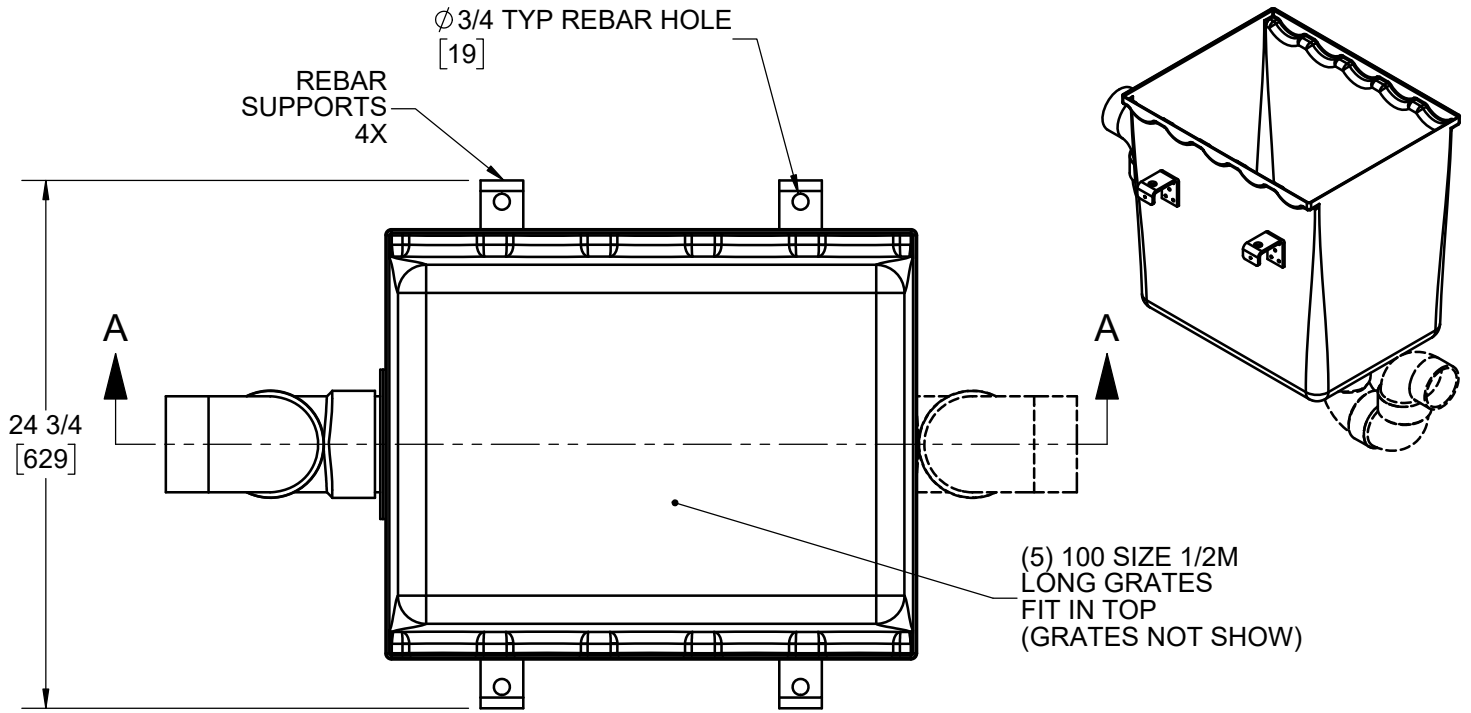


**SPECIFICATION:**

JOSAM SILT BOX FOR USE WITH PRO-PLUS 100C (4" INTERNAL WIDTH), 200C (8" INTERNAL WIDTH) SERIES TRENCH CHANNELS. MADE WITH GRP MATERIAL. CHANNEL CUTOUT PROFILE(S) TO BE DONE ON SITE. SHOWING RECOMMENDED PIPE AND FITTINGS (BY OTHERS) FOR A FOUL AIR TRAP SOLUTION.

**PRO-PLUS  
GRP SILTBOX WITH  
FOUL AIR TRAP**

**SERIES PPCB-2024-FAT**



WARNING: Cancer and Reproductive Harm - www.P65Warnings.ca.gov

DATE OF LAST CHANGE: 04/17/21

DIMENSIONS ARE SUBJECT TO MANUFACTURERS TOLERANCES AND CHANGE WITHOUT NOTICE. WE CAN ASSUME NO RESPONSIBILITY FOR USE OF SUPERSEDED OR VOID DATA.

**JOSAM**  
MICHIGAN CITY, INDIANA

NOTES