

SPECIFICATION:

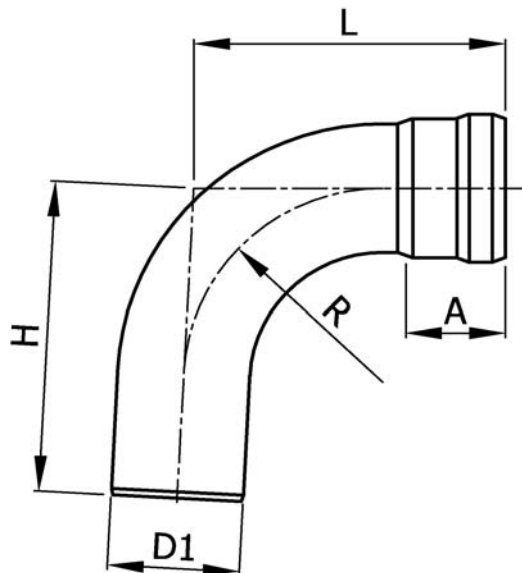
JOSAM PUSH-FIT™ TYPE 316L STAINLESS STEEL FITTING, 1/4 BEND WITH EPDM GASKETED SOCKET ON ONE END.

SS FITTING

**PUSH-FIT
1/4 BEND**

SERIES

JF



PART NO.	NOM. PIPE SIZE	D1 (PIPE O.D.)	A MIN. INSERT DEPTH	L	H	R
JF-0188	1-1/2"	1.7 [42]	1.2 [30]	3.3 [85]	3.5 [88]	1.7 [42]
JF-0190	2"	2.1 [53]	1.5 [38]	4.1 [103]	4.2 [106]	2.1 [53]
JF-0192	3"	2.9 [73]	2.2 [55]	5.4 [138]	5.6 [142]	2.9 [73]

DIMENSIONS IN INCHES [mm] UNLESS OTHERWISE NOTED.

DATE OF LAST CHANGE: 7/20/18

DIMENSIONS ARE SUBJECT TO MANUFACTURERS TOLERANCES AND CHANGE WITHOUT NOTICE. WE CAN ASSUME NO RESPONSIBILITY FOR USE OF SUPERSEDED OR VOID DATA.

JOSAM
MICHIGAN CITY, INDIANA

NOTES