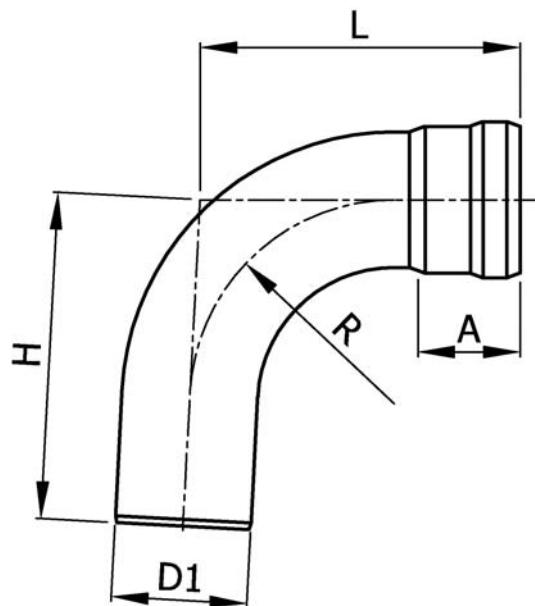


SPECIFICATION:

JOSAM PUSH-FIT™ TYPE 316L STAINLESS STEEL FITTING, 1/4 SWEEP BEND WITH EPDM GASKETED SOCKET ON ONE END.

**SS FITTING
PUSH-FIT
1/4 BEND SHORT SWEEP**

SERIES **JF**



PART NO.	NOM. PIPE SIZE	D1 (PIPE O.D.)	A MIN. INSERT DEPTH	L	H	R
JF-0460	1-1/2"	1.7 [42]	1.2 [30]	4.0 [102]	4.1 [105]	2.5 [63]
JF-0462	2"	2.1 [53]	1.5 [38]	5.1 [130]	5.2 [133]	3.1 [80]
JF-0464	3"	2.9 [73]	2.2 [55]	6.8 [172]	6.9 [176]	4.3 [110]
JF-0468	4"	4.0 [102]	2.8 [70]	7.1 [180]	7.3 [186]	4.0 [102]
JF-0472	6"	6.3 [159]	3.1 [80]	9.6 [244]	9.9 [252]	6.3 [159]
JF-0474	8"	8.6 [219]	4.7 [120]	17.4 [443]	17.8 [452]	12.0 [305]

DIMENSIONS IN INCHES [mm] UNLESS OTHERWISE NOTED.

DATE OF LAST CHANGE: 7/20/18

DIMENSIONS ARE SUBJECT TO MANUFACTURERS TOLERANCES AND CHANGE WITHOUT NOTICE. WE CAN ASSUME NO RESPONSIBILITY FOR USE OF SUPERSEDED OR VOID DATA.

JOSAM
MICHIGAN CITY, INDIANA

NOTES

WARNING: Cancer and Reproductive Harm - www.P65Warnings.ca.gov