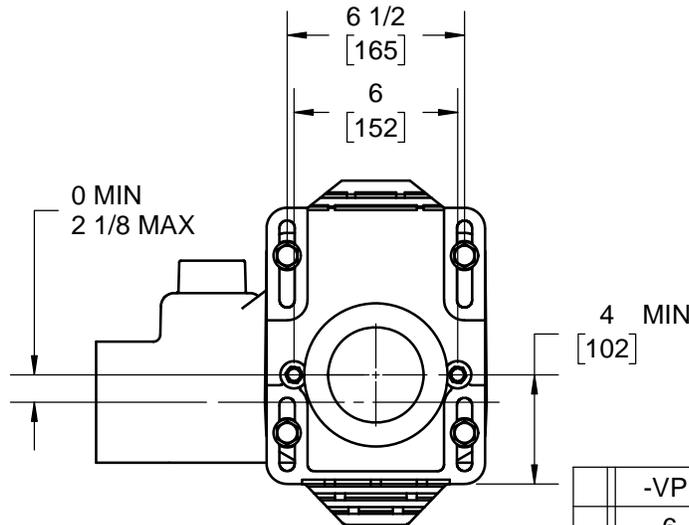
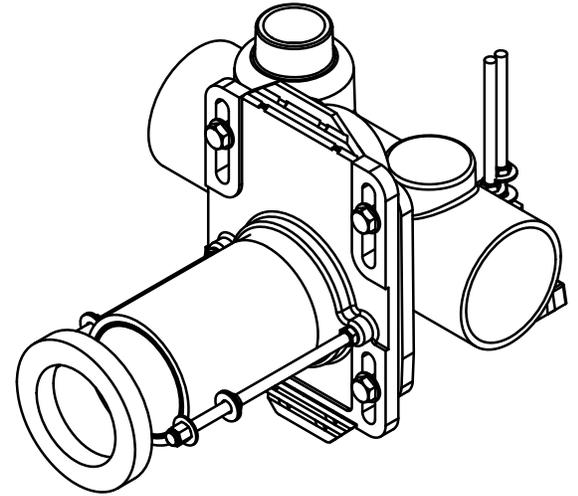
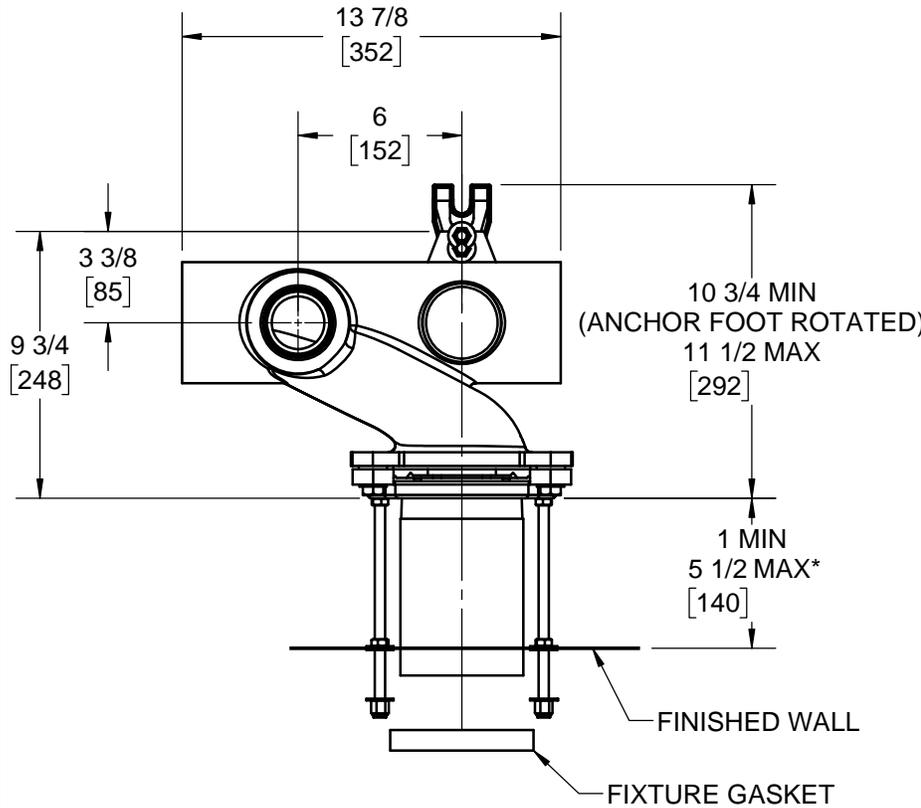


SPECIFICATION:

JOSAM 12684-24 SERIES CARRIER FOR FLOOR MOUNTED BACK OUTLET BOWLS. COATED CAST IRON SINGLE HORIZONTAL 4" NO-HUB FITTING WITH 2" NO-HUB VENT, FOR SIPHON JET ONLY, WITH ABS EXTENSION AND INTEGRAL TEST CAP, PLATED HARDWARE AND NEOPRENE FIXTURE GASKET.

CLOSET CARRIER
HORIZONTAL, RIGHT HAND
 FOR FLOOR MOUNTED,
 BACK OUTLET BOWLS

SERIES **12684-24**



*FOR LONGER EXTENSION, SPECIFY -10

	-VP	VANDAL-PROOF TRIM
	-6	SUPPLY PIPE SUPPORT (SPECIFY TYPE OF PIPE)
	-10	ABS LONG EXTENSION (5" LONGER)
X	-24	CARRIER FOR FLOOR MOUNTED BACK OUTLET CHINA BOWLS
	-30	CAST IRON ADJUSTABLE EXTENSION W/ CONNECTOR
	-30-2	CAST IRON ADJ. EXT. W/ CONNECTOR & TEST CAP
	-45	THREADED LEFT-HAND AUXILIARY INLET
	-46	THREADED RIGHT-HAND AUXILIARY INLET

WARNING: Cancer and Reproductive Harm - www.P65Warnings.ca.gov

DATE OF LAST CHANGE: 5/29/18

DIMENSIONS ARE SUBJECT TO MANUFACTURERS TOLERANCES AND CHANGE WITHOUT NOTICE. WE CAN ASSUME NO RESPONSIBILITY FOR USE OF SUPERSEDED OR VOID DATA.

JOSAM
 MICHIGAN CITY, INDIANA

NOTES