

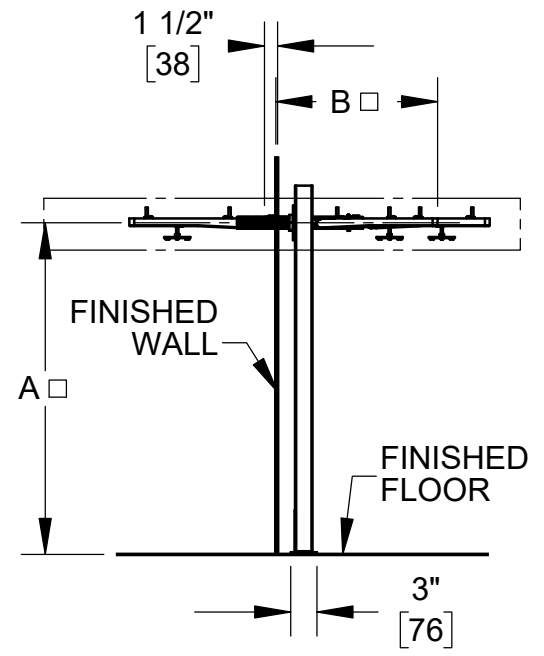
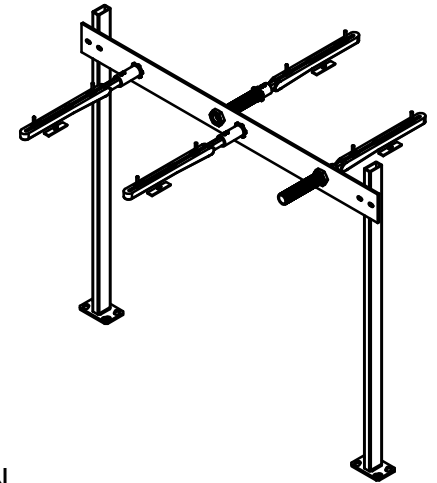
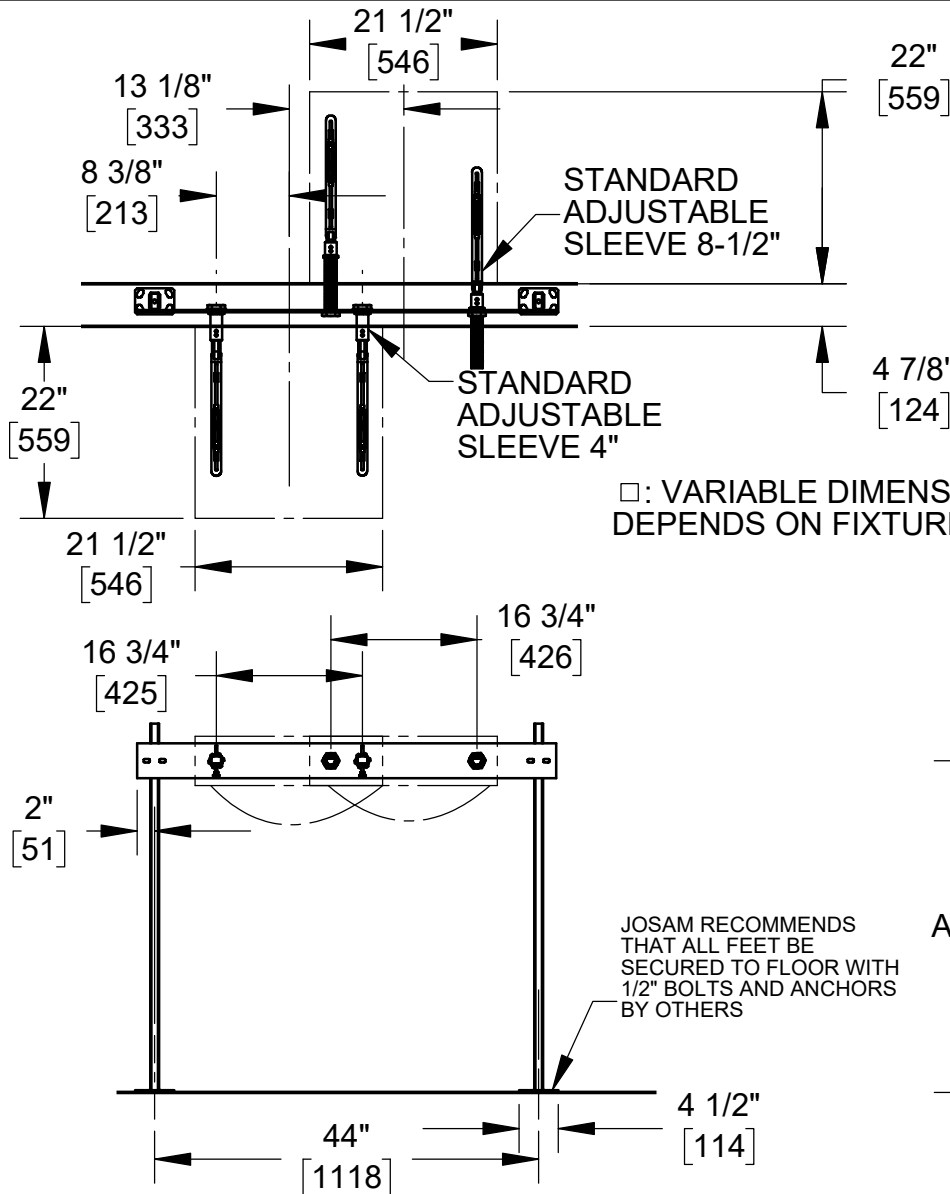
**SPECIFICATION:**

JOSAM 17125-M1677 SERIES FLOOR-MOUNTED, DUAL LAVATORY CARRIER WITH FOUR CONCEALED ARMS, LEVELING & SECURING SCREWS, TWO UPRIGHTS, AND ONE STEEL PLATE.

**LAVATORY CARRIER**

FLOOR MOUNTED CONCEALED ARM MODIFICATION

SERIES **17125-M1677**



□: VARIABLE DIMENSION. DEPENDS ON FIXTURE.

AUTHORIZED PROJECT SIGNATURE AND DATE:

NAME:

TITLE:

SIGNATURE:

DATE:

*NOTE: ALL PRE-FAB CARRIERS ARE CUSTOM FABRICATED. ORDERS ARE NON-CANCELLABLE AND NON-RETURNABLE.*

MANUFACTURER \_\_\_\_\_

NUMBER \_\_\_\_\_

SIZE \_\_\_\_\_

NAME \_\_\_\_\_

DIMENSIONS

A \_\_\_\_\_

B \_\_\_\_\_

RIM HEIGHT \_\_\_\_\_ BASED ON "A" DIM SHOWN

WARNING: Cancer and Reproductive Harm - www.P65Warnings.ca.gov

DATE OF LAST CHANGE: 05/25/18

DIMENSIONS ARE SUBJECT TO MANUFACTURERS TOLERANCES AND CHANGE WITHOUT NOTICE. WE CAN ASSUME NO RESPONSIBILITY FOR USE OF SUPERSEDED OR VOID DATA.



MICHIGAN CITY, INDIANA

NOTES