

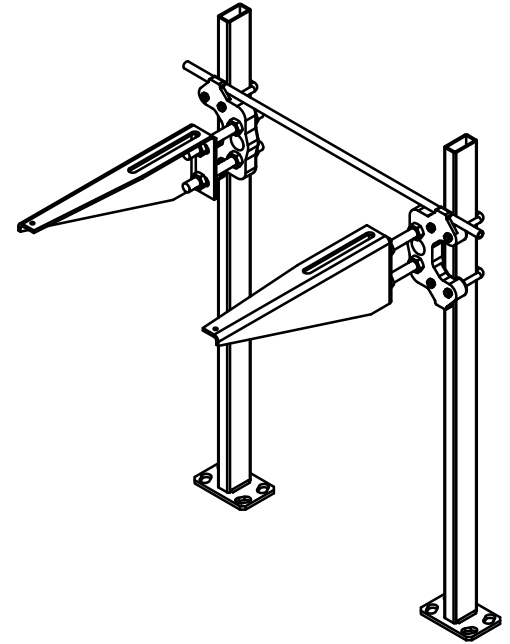
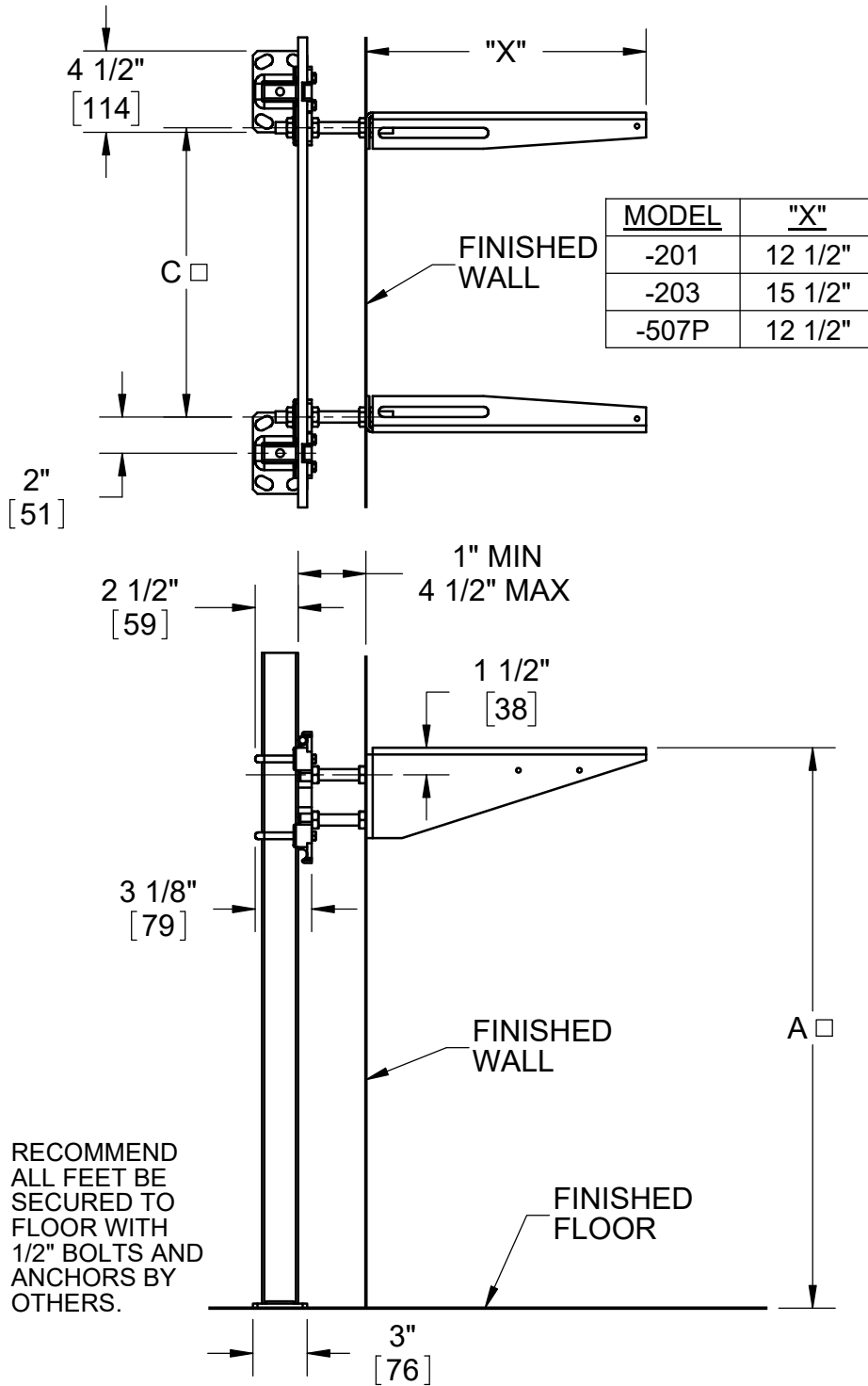
**SPECIFICATION:**

JOSAM 17380 SERIES FLOOR-MOUNTED, SINGLE LAVATORY CARRIER WITH EXPOSED ACID-RESISTING WHITE COATED ARMS, LEVELING AND SECURING SCREWS, STRUCTURAL UPRIGHTS, WELDED FEET AND CHROME PLATED TRIM.

**LAVATORY CARRIER  
FLOOR-MOUNT EXPOSED ARM**

SERIES **17380**

REUSABLE ALIGNMENT TOOL AVAILABLE



□: VARIABLE DIMENSION. DEPENDS ON FIXTURE. STANDARD ADJUSTABLE SLEEVE IS 4".

MANUFACTURER \_\_\_\_\_

NUMBER \_\_\_\_\_

SIZE \_\_\_\_\_

NAME \_\_\_\_\_

DIMENSIONS

A \_\_\_\_\_

C \_\_\_\_\_

RIM HEIGHT \_\_\_\_\_  
BASED ON "A" DIM SHOWN

RECOMMEND ALL FEET BE SECURED TO FLOOR WITH 1/2" BOLTS AND ANCHORS BY OTHERS.

-BB	BACK-TO-BACK CARRIER
-HD	HEAVY-DUTY
-VP	VANDAL-PROOF TRIM

-10	STUDS FOR WALLS OVER 4-1/2" (SPEC. WALL THICKNESS)
-60	VALVE PLATE FOR ATTACHING TO UPRIGHT
-66	SPLIT HEADER FOR STAINLESS STEEL ARMS

WARNING: Cancer and Reproductive Harm - www.P65Warnings.ca.gov

DATE OF LAST CHANGE: 05/31/18

DIMENSIONS ARE SUBJECT TO MANUFACTURERS TOLERANCES AND CHANGE WITHOUT NOTICE. WE CAN ASSUME NO RESPONSIBILITY FOR USE OF SUPERSEDED OR VOID DATA.



MICHIGAN CITY, INDIANA

NOTES