

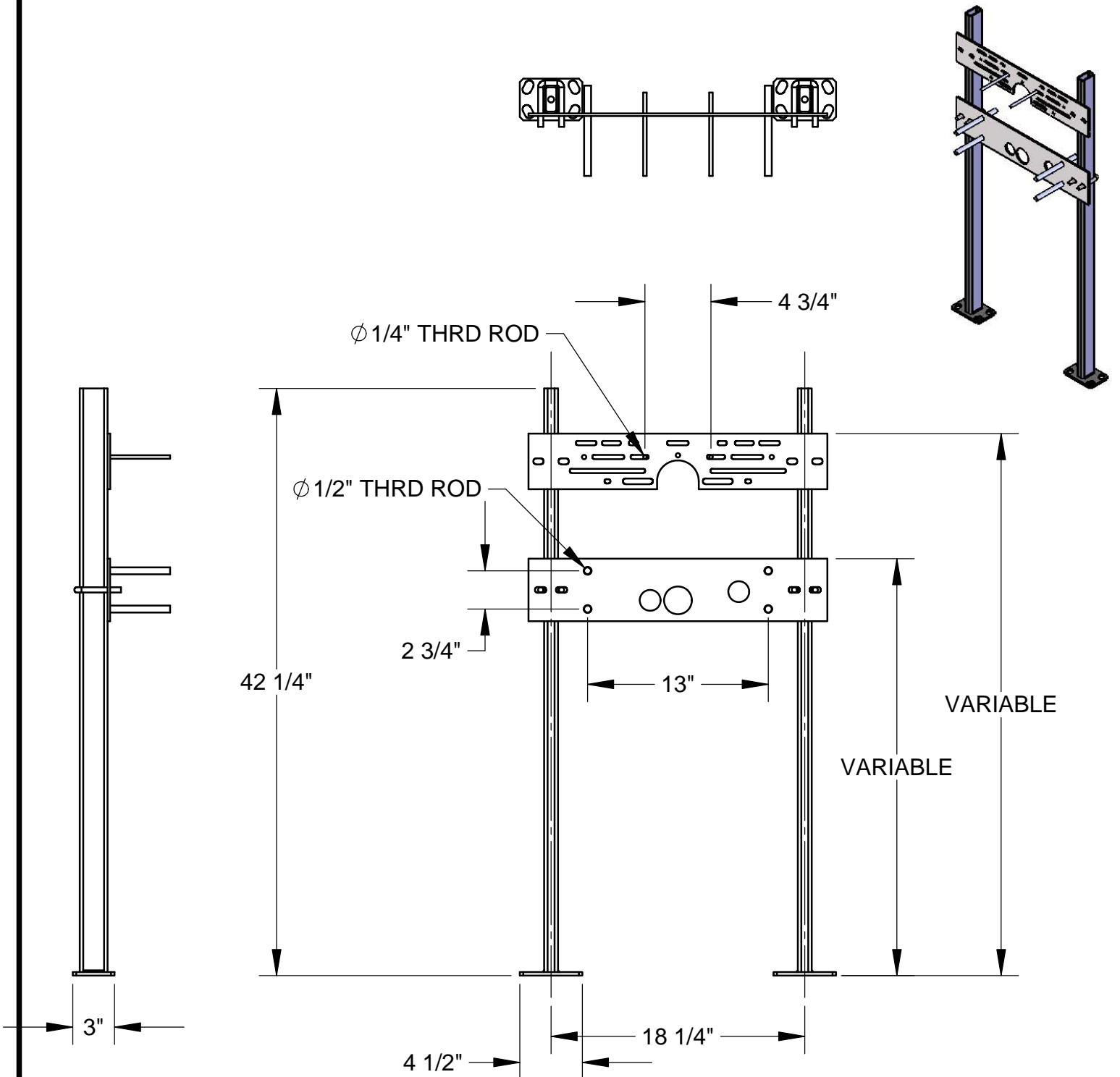
SPECIFICATION:

JOSAM 17560 SERIES FLOOR MOUNTED SINGLE FOUNTAIN CARRIER WITH BEARING PLATES, ADJUSTABLE SUPPORTING RODS, STRUCTURAL UPRIGHTS AND WELDED FEET.

FOUNTAIN CARRIER

FLOOR-MOUNT BEARING PLATE

SERIES **17560-M1576**



NOTES:

1. HARDWARE SUPPLIED NOT SHOWN.
2. FOR ACORN 2012 FOUNTAIN
3. RECOMMEND FEET TO BE SECURED TO FLOOR WITH 1/2" BOLTS AND ANCHORS BY OTHERS.

DATE OF LAST CHANGE: 2/21/2012

DIMENSIONS ARE SUBJECT TO MANUFACTURERS TOLERANCES AND CHANGE WITHOUT NOTICE. WE CAN ASSUME NO RESPONSIBILITY FOR USE OF SUPERSEDED OR VOID DATA.

JOSAM COMPANY
MICHIGAN CITY, INDIANA

NOTES