

**SPECIFICATION:**

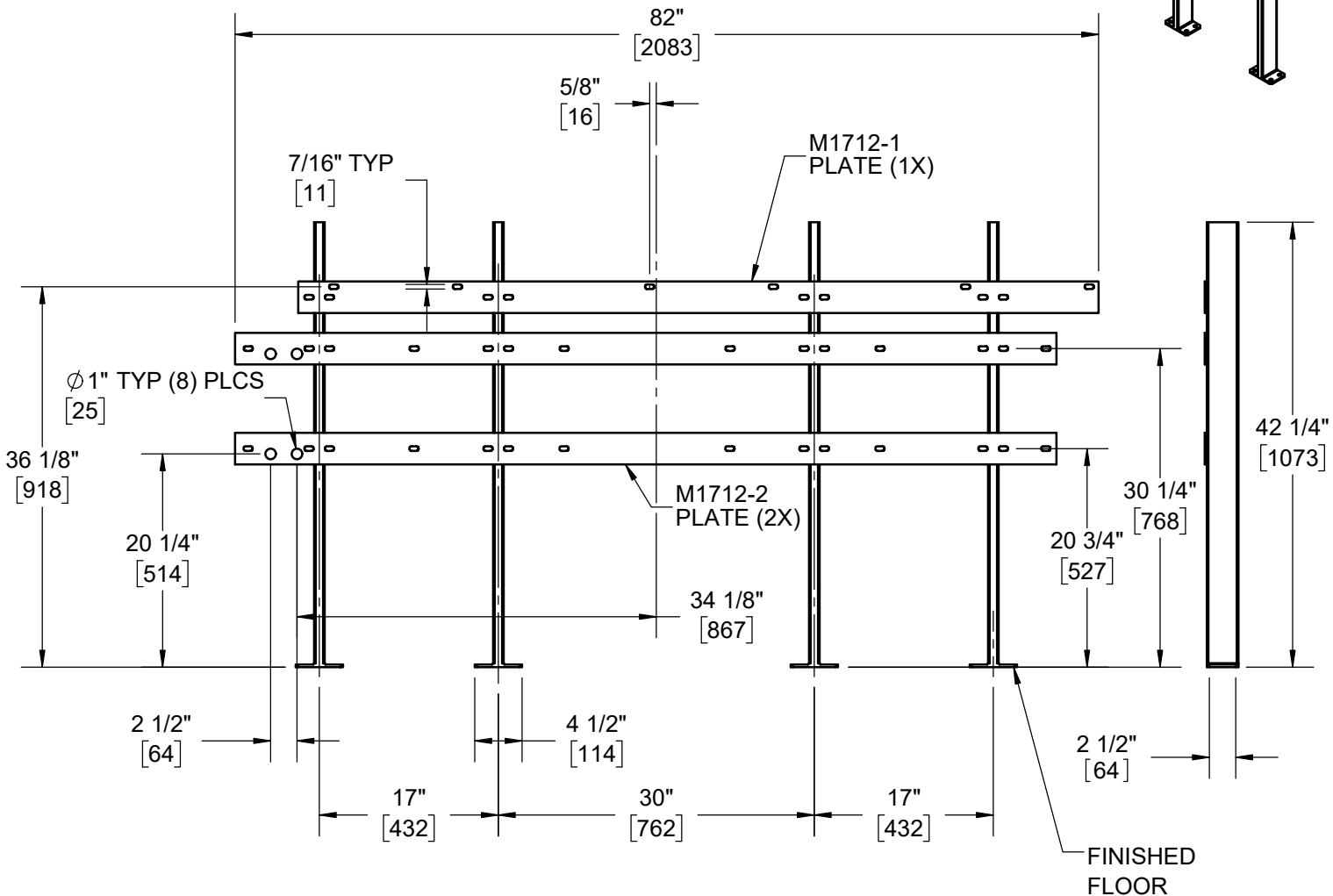
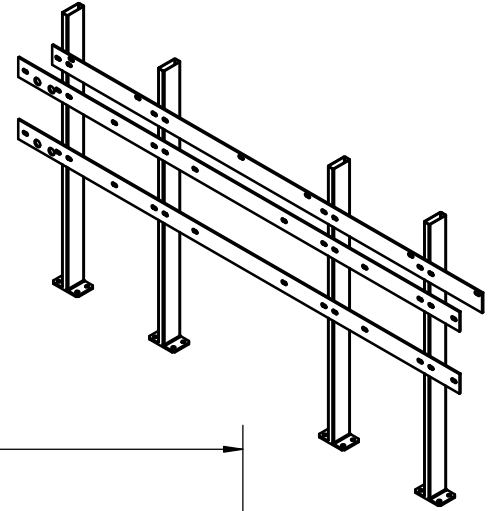
JOSAM SERIES 17560 FLOOR MOUNTED LAVATORY CARRIER WITH BEARING PLATES, ADJUSTABLE SUPPORTING RODS, STRUCTURAL UPRIGHTS AND WELDED FEET. DESIGNED TO SUPPORT BRADLEY AV90 LAVATORY SYSTEM.

**LAVATORY CARRIER**

**FLOOR MOUNT  
BEARING PLATE**

SERIES **17560-M1712**

HARDWARE SUPPLIED NOT SHOWN



RECOMMEND FEET TO BE SECURED TO FLOOR WITH 1/2" BOLTS AND ANCHORS BY OTHERS.

WARNING: Cancer and Reproductive Harm - www.P65Warnings.ca.gov

DATE OF LAST CHANGE: 06/04/18

DIMENSIONS ARE SUBJECT TO MANUFACTURERS TOLERANCES AND CHANGE WITHOUT NOTICE. WE CAN ASSUME NO RESPONSIBILITY FOR USE OF SUPERSEDED OR VOID DATA.

**JOSAM**  
MICHIGAN CITY, INDIANA

NOTES