

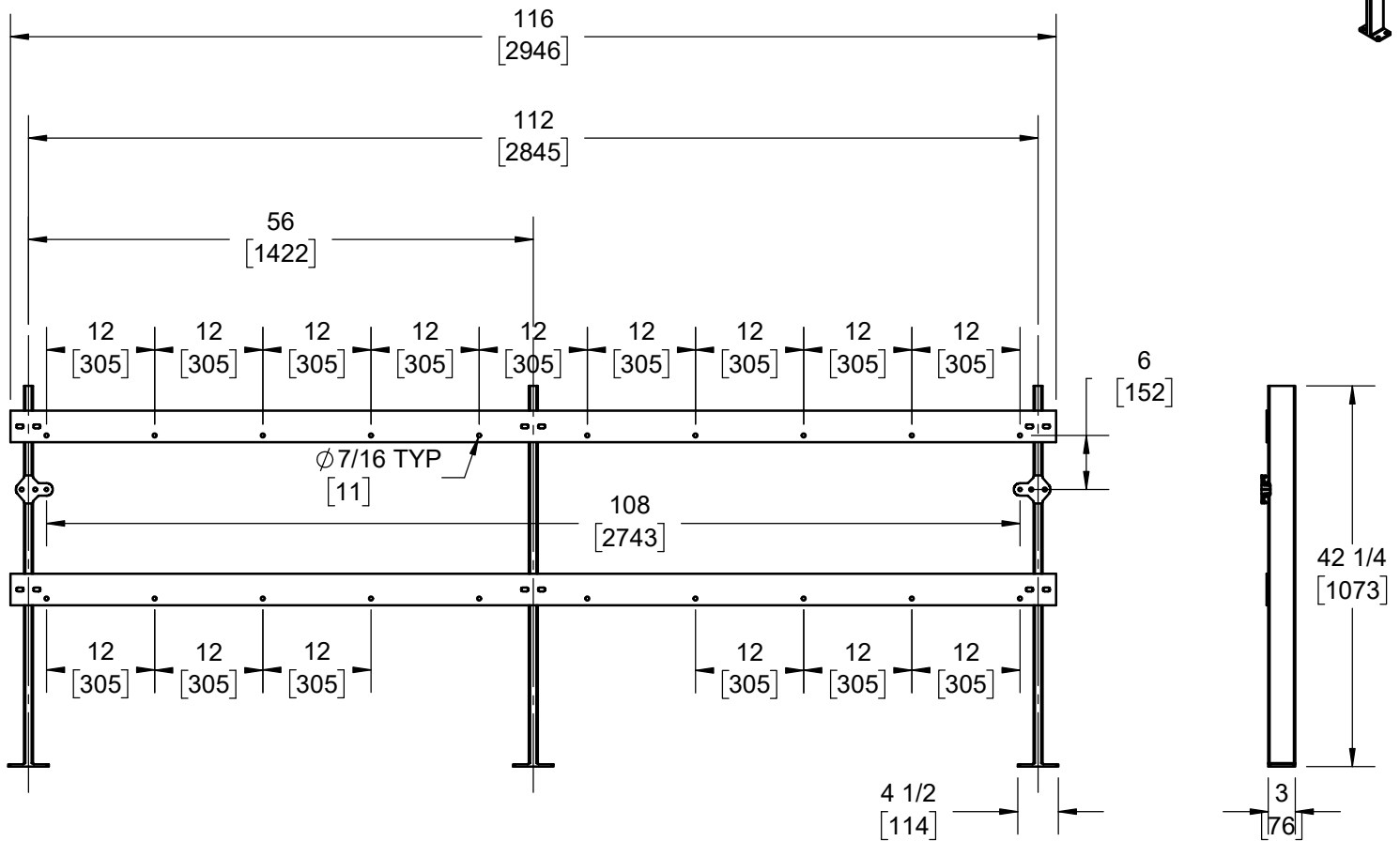
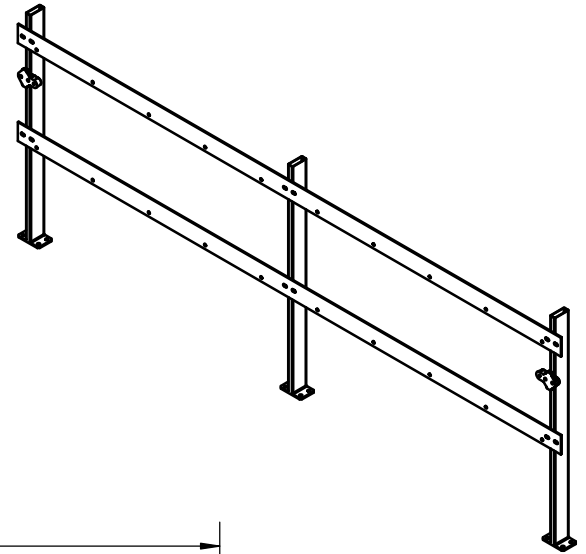
**SPECIFICATION:**

17720-66-M1745 SERIES FLOOR MOUNTED CARRIER WITH HANGER PLATE, ADJUSTABLE HEADERS AND WELDED FOOT STRUCTURAL UPRIGHTS. FOR SLOAN AD-84000 QUADRUPLE STATION LAVATORY.

**LAVATORY CARRIER  
QUADRUPLE STATION**

SERIES **17720-66-M1745**

JOSAM RECOMMENDS - FEET BE SECURED TO FLOOR WITH 1/2" BOLTS AND ANCHORS BY OTHERS



WARNING: Cancer and Reproductive Harm - www.P65Warnings.ca.gov

DATE OF LAST CHANGE: 05/29/18

DIMENSIONS ARE SUBJECT TO MANUFACTURERS TOLERANCES AND CHANGE WITHOUT NOTICE. WE CAN ASSUME NO RESPONSIBILITY FOR USE OF SUPERSEDED OR VOID DATA.



MICHIGAN CITY, INDIANA

NOTES