

SPECIFICATION:

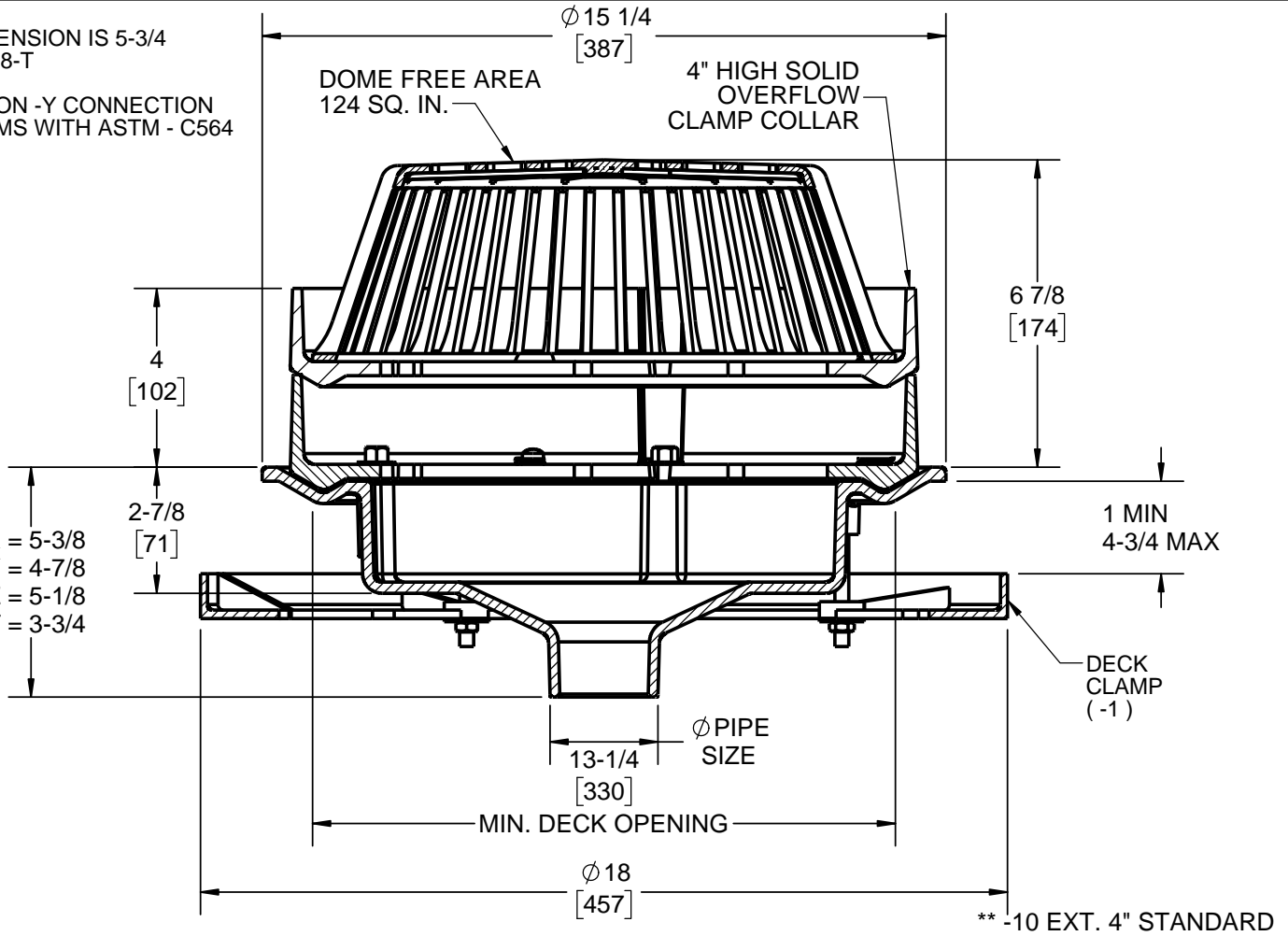
JOSAM 21500-17 SERIES COATED CAST IRON DRAIN, LARGE POLYPROYLENE LOCKING DOME, 4" HIGH SOLID WEJLOC® NON-PUNCTURING CLAMP RING, LARGE SUMP WITH WIDE ROOF FLANGE AND BOTTOM OUTLET.

ROOF DRAIN

LARGE SUMP

SERIES **21500-17 (4")**

- THIS DIMENSION IS 5-3/4 FOR 21508-T
- GASKET ON -Y CONNECTION CONFORMS WITH ASTM - C564



- -X = 5-3/8
- -Y = 4-7/8
- -Z = 5-1/8
- -T = 3-3/4

** -10 EXT. 4" STANDARD

	2"	PIPE SIZE			-1C	DRAIN RECEIVER CLIPS (MIN. DECK OPENING ϕ 16")
	3"	PIPE SIZE			-2	DRAIN RECEIVER
	4"	PIPE SIZE			-3	DECK CLAMP ASY. & DRAIN RECEIVER
	5"	PIPE SIZE			-3C	DRAIN RECEIVER & DRAIN RECEIVER CLIPS
	6"	PIPE SIZE			-4	SECONDARY FLASHING CLAMP (-AE ONLY)
	8"	PIPE SIZE			-6	EXTRA WIDE FLANGE DRAIN BODY
	10"	PIPE SIZE (NO-HUB ONLY)			-10-20	FIXED EXT. COLLAR, GALV. (SPECIFY HT. **)
			X		-17	HIGH SOLID CLAMPING COLLAR
	-X	INSIDE CAULK OUTLET			-19	CLAMP COLLAR W/PERFORATED STAINLESS STEEL GRAVEL GUARD
	-Y	HUB OUTLET W/GASKET (2", 3" & 4" SIZES ONLY)			-20	GALV. CAST IRON PARTS
	-Z	NO-HUB SPIGOT OUTLET			-21	GALV. CAST IRON DOME ONLY
	-T	THREADED OUTLET			-22	CAST IRON DOME
					-23	ROUGH BRONZE DOME
	-AE	THREADED LEVELEZE® ADJ. EXT.			-26	ALUMINUM DOME
	-AER	ADJ. EXT. USING THREADED RODS			-33	STAINLESS STEEL MESH-COVERED DOME
	-IRMA	PERFORATED STAINLESS STEEL EXT.			-66	NO-HUB SIDE OUTLET (2" THRU 6" OUTLETS ONLY)
	-CR	CLAMPING DRAIN RECEIVER (MIN. DECK OPENING ϕ 16")				
					-VP	SECURED DOME
	-1	DECK CLAMP ASY.				

WARNING: Cancer and Reproductive Harm - www.P65Warnings.ca.gov

DATE OF LAST CHANGE: 6/15/18

DIMENSIONS ARE SUBJECT TO MANUFACTURERS TOLERANCES AND CHANGE WITHOUT NOTICE. WE CAN ASSUME NO RESPONSIBILITY FOR USE OF SUPERSEDED OR VOID DATA.



NOTES