

SPECIFICATION:

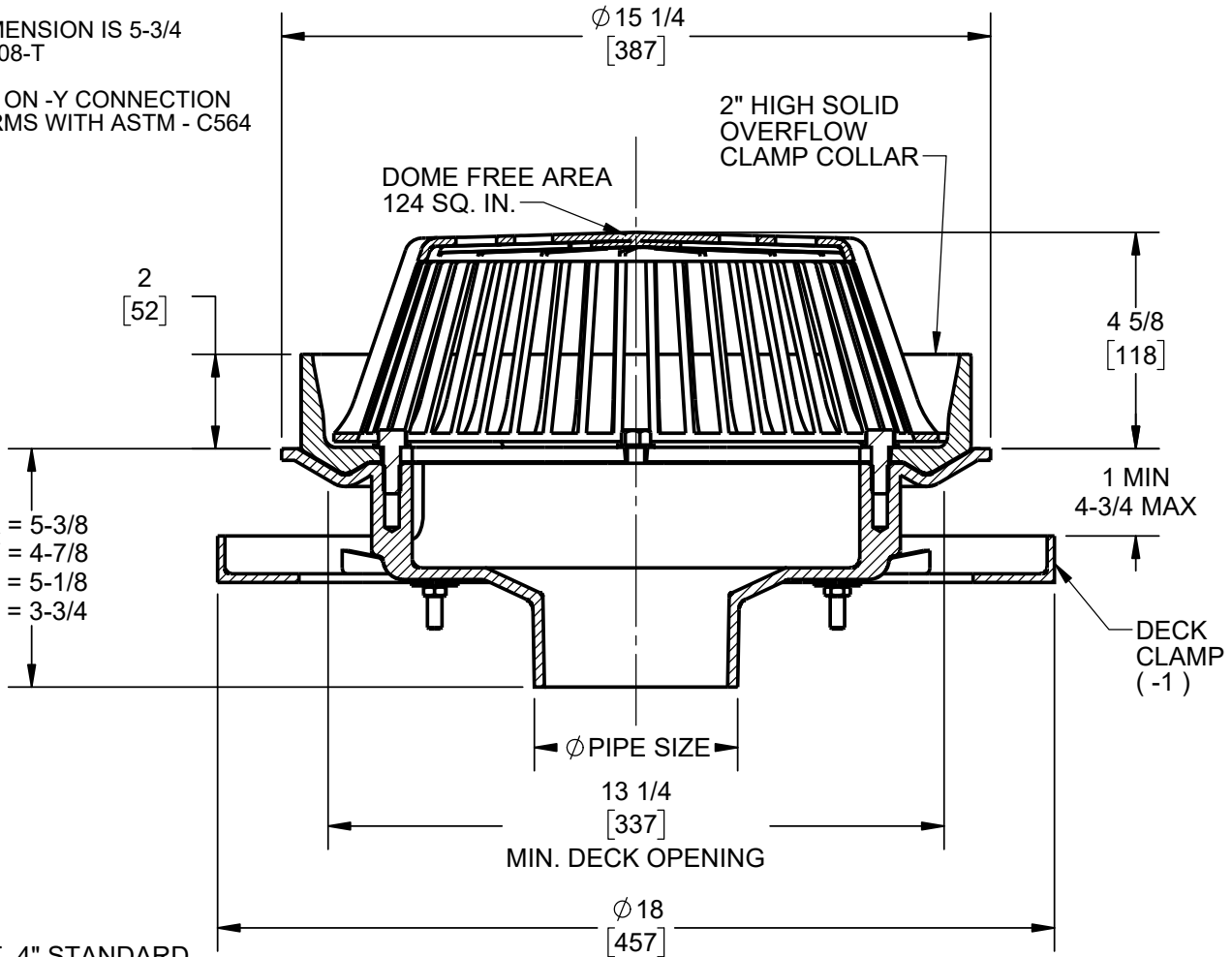
JOSAM 21500-17 SERIES COATED CAST IRON DRAIN, LARGE POLYPROYLENE LOCKING DOME, 2" HIGH SOLID WEJLOC® NON-PUNCTURING CLAMP RING, LARGE SUMP WITH WIDE ROOF FLANGE AND BOTTOM OUTLET.

ROOF DRAIN

LARGE SUMP

SERIES **21500-17**

- THIS DIMENSION IS 5-3/4 FOR 21508-T
- GASKET ON -Y CONNECTION CONFORMS WITH ASTM - C564



** -10 EXT. 4" STANDARD

				-1	DECK CLAMP ASSY
	2"	PIPE SIZE		-1C	DRAIN RECEIVER CLIPS (MIN. DECK OPENING ϕ 16")
	3"	PIPE SIZE		-2	DRAIN RECEIVER
	4"	PIPE SIZE		-3	DECK CLAMP ASY. & DRAIN RECEIVER
	5"	PIPE SIZE		-3C	DRAIN RECEIVER & DRAIN RECEIVER CLIPS
	6"	PIPE SIZE		-4	SECONDARY FLASHING CLAMP (-AE ONLY)
	8"	PIPE SIZE		-6	EXTRA WIDE FLANGE DRAIN BODY
	10"	PIPE SIZE (NO-HUB ONLY)		-10	FIXED EXT. COLLAR (SPECIFY HT.**)
				-10-20	FIXED EXT. COLLAR, GALV. (SPECIFY HT. **)
	-X	INSIDE CAULK OUTLET	X	-17	2" HIGH SOLID CLAMPING COLLAR
	-Y	HUB OUTLET W/GASKET (2", 3" & 4" SIZES ONLY)		-19	CLAMP COLLAR W/PERFORATED STAINLESS STEEL GRAVEL GUARD
	-Z	NO-HUB SPIGOT OUTLET		-20	GALV. CAST IRON PARTS
	-T	THREADED OUTLET		-22	CAST IRON DOME
				-22 -21	CAST IRON DOME ONLY
	-AE	THREADED LEVEZE® ADJ. EXT.		-23	ROUGH BRONZE DOME
	-AER	ADJ. EXT. USING THREADED RODS		-26	ALUMINUM DOME
	-IRMA	PERFORATED STAINLESS STEEL EXT.		-33	STAINLESS STEEL MESH-COVERED DOME
	-CR	CLAMPING DRAIN RECEIVER (MIN. DECK OPENING ϕ 16")		-66	NO-HUB SIDE OUTLET (2" THRU 6" OUTLETS ONLY)
	-VP	SECURED DOME		-FG	FLAT GRATE

DATE OF LAST CHANGE: 02/11/20

DIMENSIONS ARE SUBJECT TO MANUFACTURERS TOLERANCES AND CHANGE WITHOUT NOTICE. WE CAN ASSUME NO RESPONSIBILITY FOR USE OF SUPERSEDED OR VOID DATA.

JOSAM
MICHIGAN CITY, INDIANA

NOTES