

SPECIFICATION:

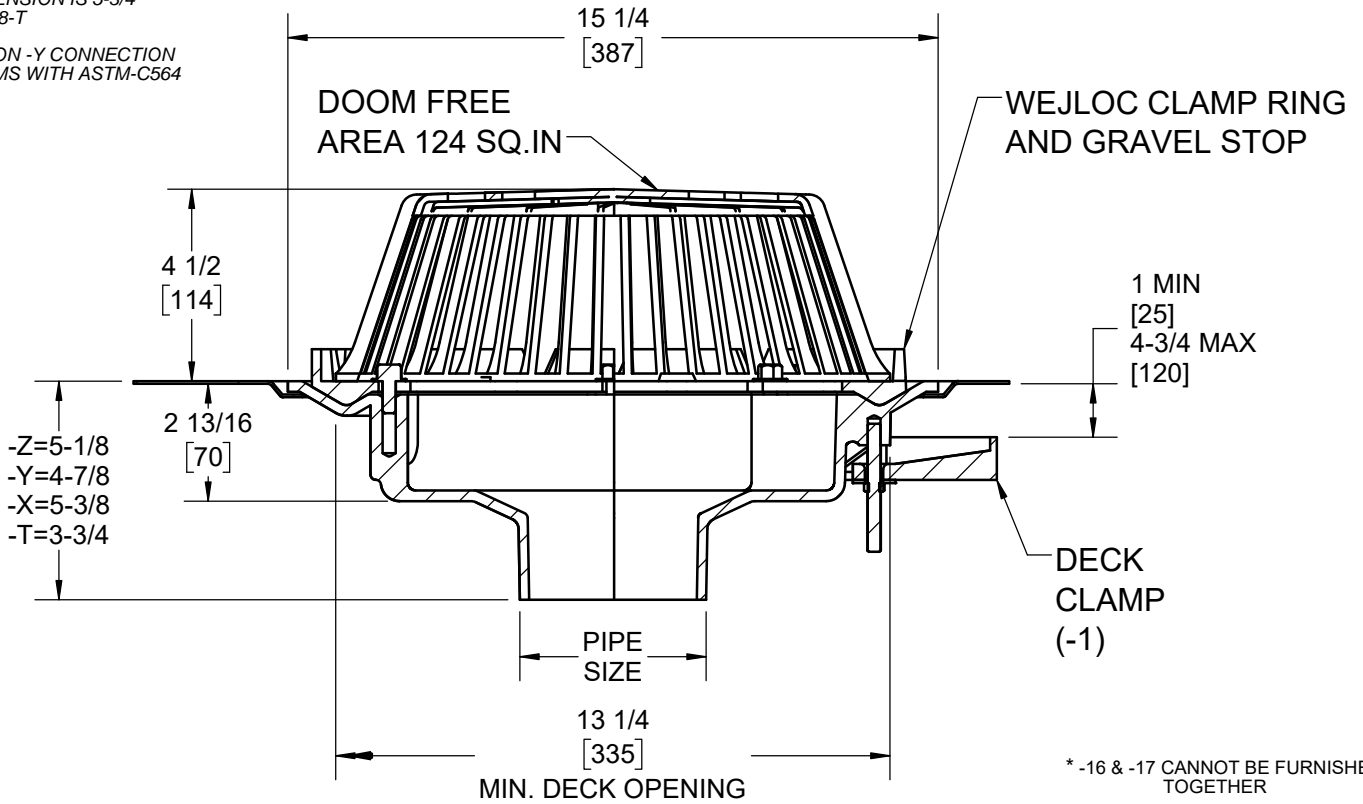
JOSAM 21500-3 SERIES COATED CAST IRON ROOF DRAIN, LARGE POLYPROPYLENE LOCKING DOME, WEJLOC® NON-PUNCTURING CLAMP RING WITH INTEGRAL GRAVEL STOP, LARGE SUMP WITH WIDE ROOF FLANGE, BOTTOM OUTLET, DECK CLAMP ASSEMBLY AND DRAIN RECEIVER.

**ROOF DRAIN
LARGE SUMP**

SERIES **21500-3**

● THIS DIMENSION IS 5-3/4" FOR 21508-T

● GASKET ON -Y CONNECTION CONFORMS WITH ASTM-C564



* -16 & -17 CANNOT BE FURNISHED TOGETHER

** -10 EXT. 4" STANDARD

▼ SEPERATE SUBMITTAL FOR THIS OPTION AVAILABLE

	2"	PIPE SIZE			-2	DRAIN RECEIVER
	3"	PIPE SIZE	X		-3	DECK CLAMP ASY. AND DRAIN RECEIVER
	4"	PIPE SIZE			-3C	DRAIN RECEIVER AND DRAIN RECEIVER CLIPS
	5"	PIPE SIZE			-4	SECONDARY FLASHING CLAMP (-AE ONLY)
	6"	PIPE SIZE		▼	-6	EXTRA WIDE FLANGE DRAIN BODY (-X OUTLET ONLY)
	8"	PIPE SIZE			-10	FIXED EXT. COLLAR, CAST IRON (SPECIFY HT.**)
	10"	PIPE SIZE (NO-HUB ONLY)			-10-20	FIXED EXT. COLLAR, GALV. (SPECIFY HT.**)
				▼	-16*	INTERNAL WATERGUARD (2" THRU 6" OUTLETS ONLY)
					-16GLV*	INTERNAL WATERGUARD GALVANIZED STEEL (2"-6" OUTLETS ONLY)
	-X	INSIDE CAULK OUTLET		▼	-17*	2" HIGH SOLID CLAMPING COLLAR
	-Y	HUB OUTLET W/GASKET (2", 3" & 4" SIZES ONLY)			-19	CLAMP COLLAR W/PERFORATED STAINLESS GRAVEL GUARD
	-Z	NO-HUB SPIGOT OUTLET			-20	GALV. CAST IRON PARTS
	-T	THREADED OUTLET			-22	CAST IRON DOME
					-22 -21	GALV. CAST IRON DOME ONLY
					-23	ROUGH BRONZE DOME
▼	-AE	THREADED LEVEZE® ADJ. EXT.			-26	ALUMINUM DOME
▼	-AER	ADJ. EXT. USING THREADED RODS			-33	STAINLESS STEEL MESH-COVERED DOME
▼	-IRMA	PERFORATED STAINLESS STEEL EXT.			-66	NO-HUB SIDE OUTLET (2" THRU 6" OUTLETS ONLY)
	-CR	CLAMPING DRAIN RECEIVER (MIN. DECK OPENING Ø16")				
	-1	DECK CLAMP ASY.			-VP	VANDAL-PROOF DOME
	-1C	DRAIN RECEIVER CLIPS (MIN. DECK OPENING Ø16")				

WARNING: Cancer and Reproductive Harm - www.P65Warnings.ca.gov

DATE OF LAST CHANGE: 02/11/20

DIMENSIONS ARE SUBJECT TO MANUFACTURERS TOLERANCES AND CHANGE WITHOUT NOTICE. WE CAN ASSUME NO RESPONSIBILITY FOR USE OF SUPERSEDED OR VOID DATA.

JOSAM
MICHIGAN CITY, INDIANA

NOTES