

SPECIFICATION:

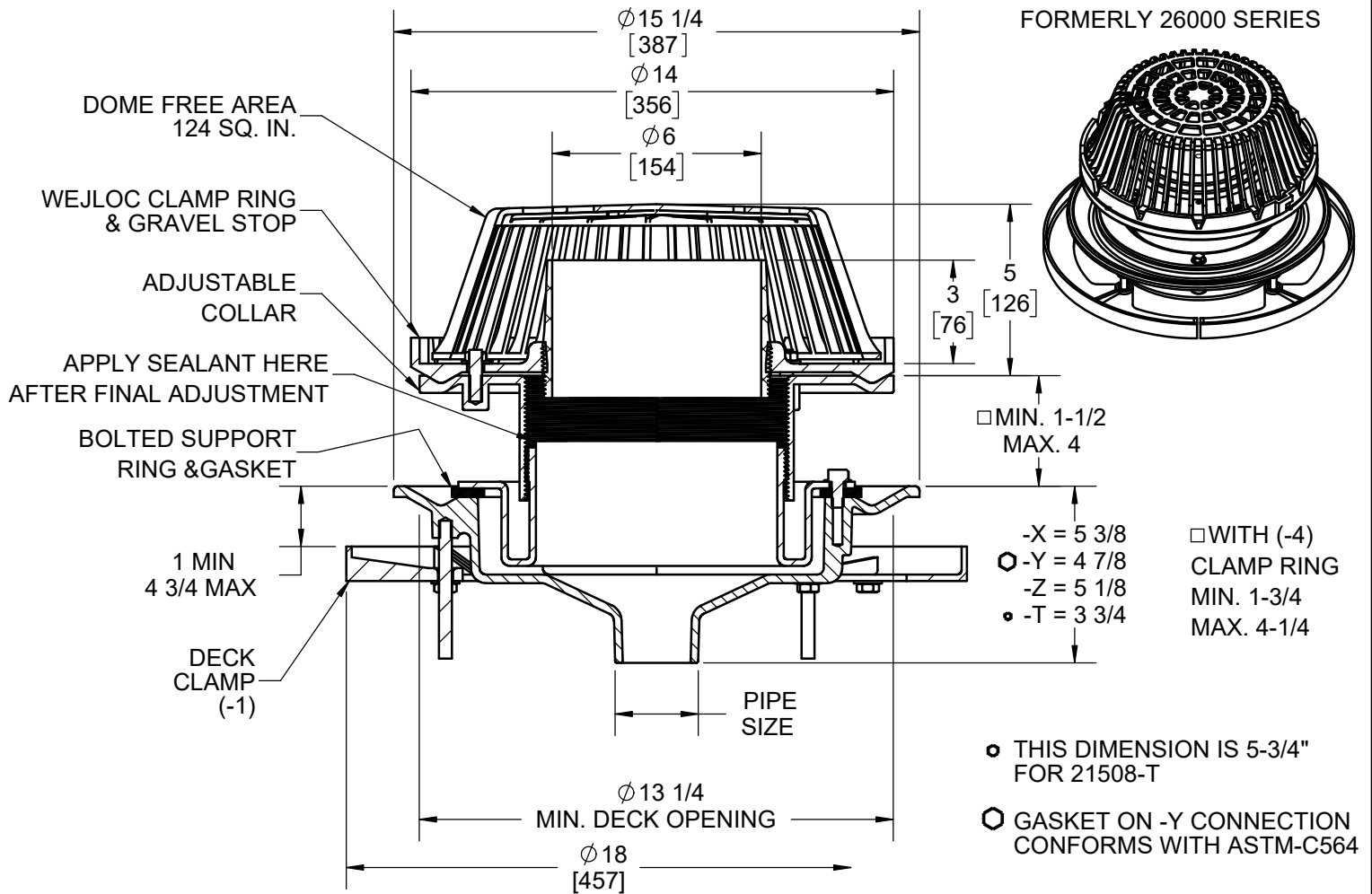
JOSAM 21500-AE-16 SERIES COATED CAST IRON LEVELZE® ROOF DRAIN, INTERNAL WATERGUARD TYPE, LARGE POLYPROPYLENE LOCKING DOME, WEJLOC® NON-PUNCTURING CLAMP RING WITH INTEGRAL GRAVEL STOP, BOLTED SUPPORT RING, SECURED PLASTIC INTERNAL WATERGUARD FOR 3" WATER DEPTH, ADJUSTABLE TOP, LARGE SUMP WITH WIDE ROOF FLANGE AND BOTTOM OUTLET.

ROOF DRAIN

W/ LEVELZE® ADJUSTABLE EXTENSION & INTERNAL WATERGUARD

SERIES **21500-AE-16**

FORMERLY 26000 SERIES



	2"	PIPE SIZE
	3"	PIPE SIZE
	4"	PIPE SIZE
	5"	PIPE SIZE
	6"	PIPE SIZE
X	-AE	THREADED LEVELZE® ADJ. EXT.
	-CR	CLAMPING DRAIN RECEIVER (MIN. DECK OPENING $\phi 16"$)
	-VP	SECURED DOME
	-1	DECK CLAMP ASSEMBLY
	-1C	DRAIN RECEIVER CLIPS (MIN. DECK OPENING $\phi 16"$)
	-2	DRAIN RECEIVER
	-3	DECK CLAMP ASY. AND DRAIN RECEIVER
	-3C	DRAIN RECEIVER AND DRAIN RECEIVER CLIPS
	-4	SECONDARY FLASHING CLAMP (-AE ONLY)

	-6	EXTRA WIDE FLANGE DRAIN BODY (-X OUTLET ONLY)
	-10	FIXED EXT. COLLAR, CAST IRON. 4" STD.(SPECIFY HEIGHT)
	-10-20	FIXED EXT. COLLAR, GALVANIZED. 4" STD. (SPECIFY HEIGHT)
X	-16*	INTERNAL WATERGUARD (2" THRU 6" OUTLETS ONLY)
	-19	CLAMP COLLAR W/PERF. STAINLESS GRAVEL GUARD
	-20	GALVANIZED CAST IRON PARTS
	-22	CAST IRON DOME
	-22-21	GALVANIZED CAST IRON DOME ONLY
	-23	ROUGH BRONZE DOME
	-26	ALUMINUM DOME
	-33	STAINLESS STEEL MESH-COVERED DOME
	-66	NO-HUB SIDE OUTLET (2" THRU 6" OUTLETS ONLY)
	-T	THREADED OUTLET
	-X	INSIDE CAULK OUTLET
	-Y	HUB OUTLET W/GASKET (2", 3" & 4" SIZES ONLY)
	-Z	NO-HUB SPIGOT OUTLET

△ SEPARATE SUBMITTAL FOR THIS OPTION AVAILABLE

* -16 & -17 CANNOT BE FURNISHED TOGETHER

DATE OF LAST CHANGE: 02/11/20

DIMENSIONS ARE SUBJECT TO MANUFACTURERS TOLERANCES AND CHANGE WITHOUT NOTICE. WE CAN ASSUME NO RESPONSIBILITY FOR USE OF SUPERSEDED OR VOID DATA.

JOSAM
MICHIGAN CITY, INDIANA

NOTES

WARNING: Cancer and Reproductive Harm - www.P65Warnings.ca.gov